



STEMSHINE PRO GP5

GLASS POLISHER

350 GLASSES/HOUR



Efficient Tabletop Glass Polisher for Every Venue

The StemShine Pro GP5 is a compact tabletop glass polisher ideal for restaurants, wine bars, caterers, hotels, and banquet venues. Designed for both front and back of house, it features five high-speed soft brushes and a heated fan to deliver crystal-clear results while reducing labor. Capable of polishing up to 350 glasses per hour, it outperforms manual drying with consistent quality. Lightweight (26 lbs) and drawing less than 10 amps, it's also easy to move as needed throughout any facility.

Key Features:

- **5 Soft Polishing Brushes**

Gently remove smudges and moisture for spotless, crystal-clear glassware.

- **High-Volume Capability**

Polishes over 350 glasses per hour, saving time and boosting efficiency.

- **Versatile Design**

Available in black or silver to suit any space – front or back of house.

Colors available:



About Us

Campus Products is a family-owned U.S. company offering innovative equipment for the foodservice industry. Our solutions improve hygiene, reduce labor, and enhance presentation. Trusted by restaurants, caterers, and hospitality professionals nationwide.



Contact us:

+1 905.829.2355

More Information:

www.cpushine.com



STEMSHINE PRO GP5

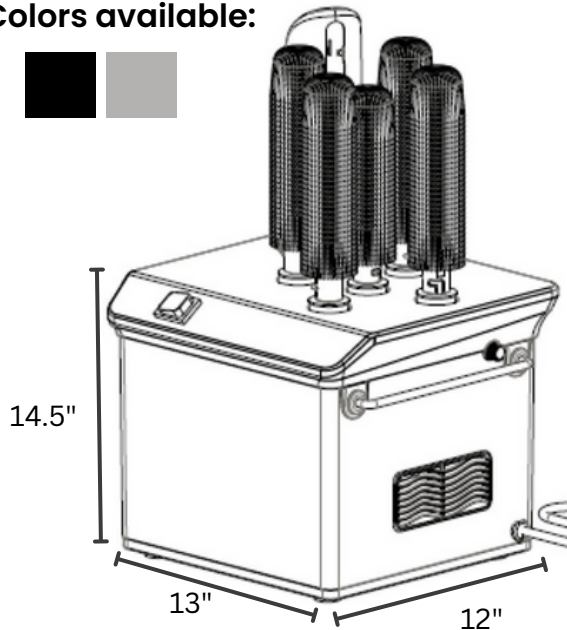
GLASS POLISHER

Specifications

Amps:	9.20
Watts:	1000
Dimensions (L x W x H):	13" x 12" x 14.5"
Volts:	120V 60 Hz
Shipping Weight:	30 lbs.
Capacity:	350 pieces/hour



Colors available:



Performance Features:

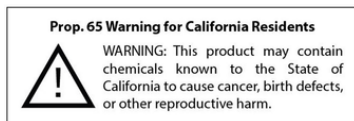
- High speed powerful fan to assist in drying action
- Plug-and-Play ability on any 13 amp. circuit
- Light enough to move about any facility
- Low profile, five brush system, suitable for 1 item production
- Air chimney focuses air flow
- Simple one button On/Off control
- Easy to remove/clean gentle polishing brushes
- Quiet, vibration free

Included Accessories:

- Five (5) soft easy to replace/clean polishing brushes
- Operations/maintenance manual

Construction Features:

- Light weight, impact resistant, ABS717 exterior shell to withstand tough kitchen environments
- Solid steel sub frame on constructed base for years of use
- Easy access fuse assembly
- Durable fan motor with separate heating element for ease of replacement
- Long life drive belts



Contact us:
+1 [905.829.2355](tel:905.829.2355)

More Information:
www.cpushine.com