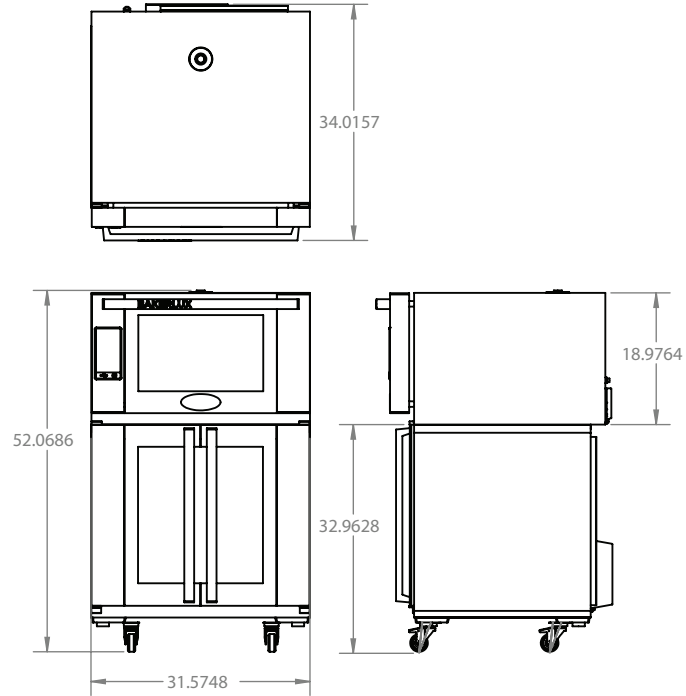
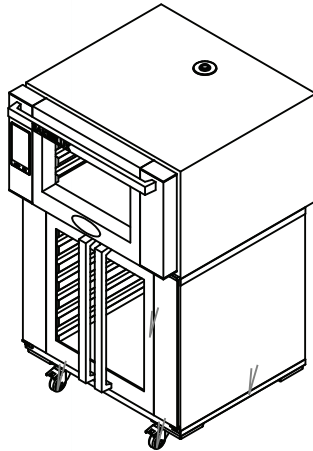




Bakerlux Proofer Station

Full-Size

Model: BLS-4FSLD-PRF



Oven Features and info

- * Shelves included (4)
- * 3 baking steps
- * Includes electro valve for direct plumbed water connection
- * Up to 99 programs, including 12 "Quick Access" programs
- * Handles standard half size or full size sheet pans (not included)
- * 3 fan speeds
- * Light flashes and unit beeps at end of cooking cycle

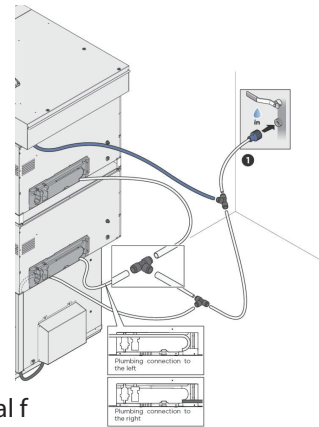
Proofer Features and Info

- * Handles 8 sheet pans (not included)
- * Temperatures to 122°F
- * Adjustable legs or optional casters
- * Freight class 200 (NOTE: These models must ship by truck, not UPS)
- * Oven & proofer are both controlled by the control panel on the oven
- * Proofers are NOT designed for stand-alone use
- * Proofers require water hookup
- * Casters are included

Our proofers are made to Cadco Ltd. specifications by UNOX S.p.A., Italy
NSF, ETL to UL & CSA Standards

Incoming Water:

The bottom of the appliance contains 6.ft 7 in of pipe with a tee for connecting to the water supply (including mechanical filter and fitting (3/4") with non-return valve). A shut-off valve should be positioned between the water mains and the appliance.



Bakerlux Proofer Station Includes:

Model	Color	Volts	Watts	Amps	Unit Dimensions
XAFT-04FS-LD	Stainless	208-240	5900-7600	32	w:31.5", h:19", d:31"
XAKPT-08FS-C	Stainless	208/240	1300	5.5	w: 32", h:36", d:32"

Shipping Unit Dimensions

1 SKID CLASS 200
325 POUNDS -1 OVEN, 1 PROOFER

LED digital programmable controls:



- 3 BAKING STEPS
- 0 - Inf. TIMER
- 120° - 500° F TEMPERATURE
- 0-20-40-60-80-100% HUMIDITY
- 2 FAN SPEEDS
- PROOFER CONTROL
- 99 PROGRAMS
12 QUICK ACCESS

3 YEAR WARRANTY



www.cadco-ltd.com



860.738.2500



info@cadco-ltd.com