



# BRIKA

## BMG-48

ROBUST DESIGN  
HIGH QUALITY STAINLESS STEEL

# MANUAL GRIDDLE 48 INCHES



Heavy duty 3/4" thick polished steel griddle plate

30,000 BTU burner per 12" section

SS standby pilot for instant ignition

Independent manual controls per burner

Adjustable, stainless steel legs



Stainless steel exterior and interior

Full length seamless drip pan, easy to remove & clean



**Dimensions (wxdxh)** 48" x 30" x 15<sup>1/4</sup>"

**Cooking Area (wxd)** 48" x 20<sup>1/2</sup>"

**Burners** 4 x 30,000 BTU/H (total 120K)

# BMG-48

## DELIVERY

Box dimensions (w×d×h)

50<sup>1/4</sup>" x 32<sup>5/8</sup>" x 20<sup>1/2</sup>"

Weight

net: 326 lbs

ship: 366 lbs

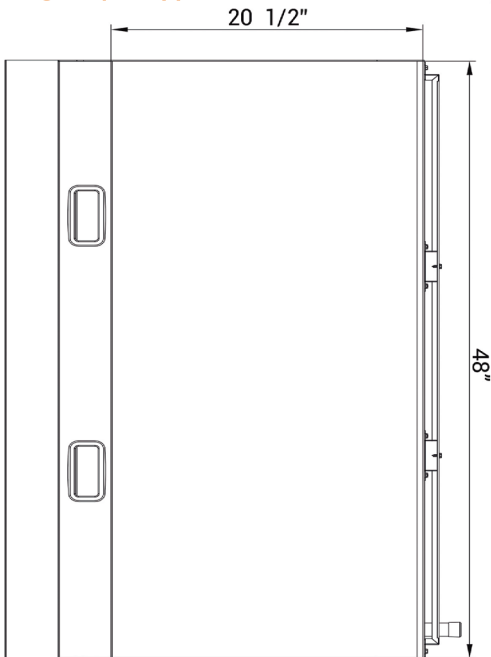
## GAS POWERED

Natural	<b>Source</b>	Propane
4"WC	<b>Pressure</b>	10"WC
37#	<b>Nozzle</b>	51#

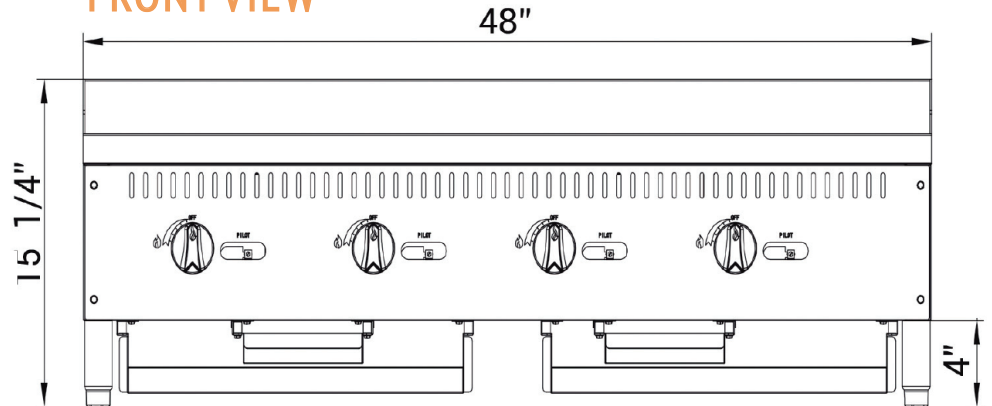
3/4" NPT **Connection** 3/4" NPT

if to be used above 2000 ft, specify altitude and gas type when ordering

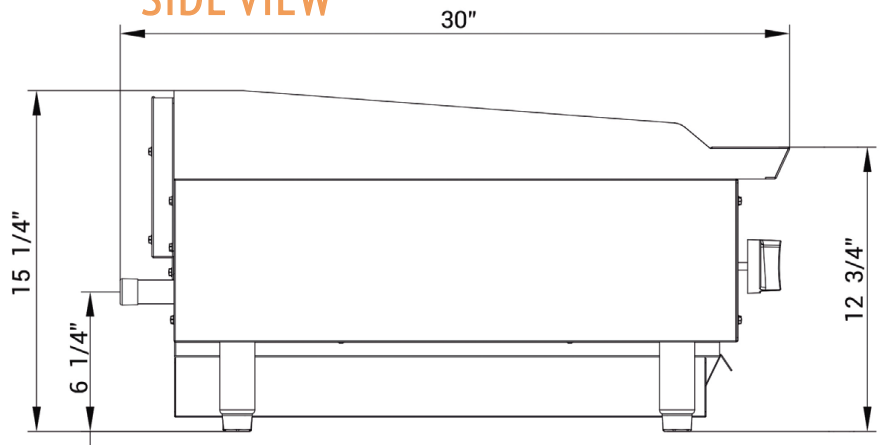
### TOP VIEW



### FRONT VIEW



### SIDE VIEW



#### ASSEMBLY/SUPPORT



#### MORE PRODUCTS



## SAFETY

Keep combustibles a minimum of 17" away from the equipment. Keep a clearance of 4" at the rear.

 We're on social media! 