



# BRIKA

## BGR-10B

# GAS RANGE 10 BURNERS

ROBUST DESIGN  
HIGH QUALITY STAINLESS STEEL



Stainless steel tubing for burners and pilot

Stainless steel exterior including front, sides, kick plate, back guard & over shelf

Heavy duty 12" X 12" removable cast iron top grates

Oven Temperature range between 175° & 500°F

Oven cooking area: 26"<sub>w</sub> x 26"<sub>d</sub> x 15"<sub>h</sub>

Two (2) chrome oven rack per oven standard; 4 position oven rack guides.

Enamel interior oven for easy cleaning, with full width stainless steel crumb tray.

Fits bun pans either widthwise or lengthwise.



Optional caster wheels

**Dimensions (wxdxh)** 60" x 31<sup>1/2</sup>" x 56"

**Cooking Area (wxd)** 60" x 24"

**Burners** LPG/NG: 2 x 35,000 BTU/H (OVEN)

LPG: 10 x 30,000 BTU/H (HOT PLATES)

NG: 10 x 33,000 BTU/H (HOT PLATES)

LPG TOTAL: 370K NG TOTAL: 400K

# BGR-10B

## DELIVERY

Box dimensions (w×d×h)

62" x 36<sup>4/5</sup>" x 38<sup>1/5</sup>"

Weight

net: 598 lbs

ship: 716 lbs

## GAS POWERED

Natural **Source** Propane

5"WC **Pressure** 10"WC

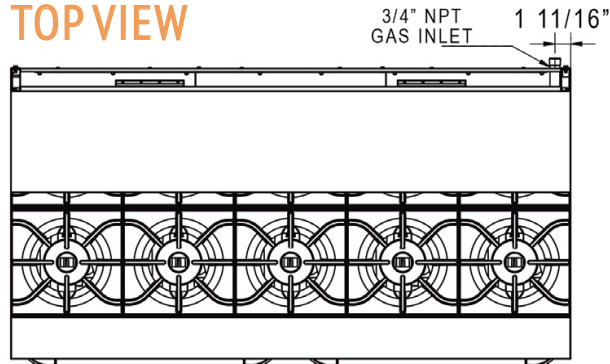
38# **Nozzle** (OVEN) 49#

41# **Nozzle** (HOT P.) 52#

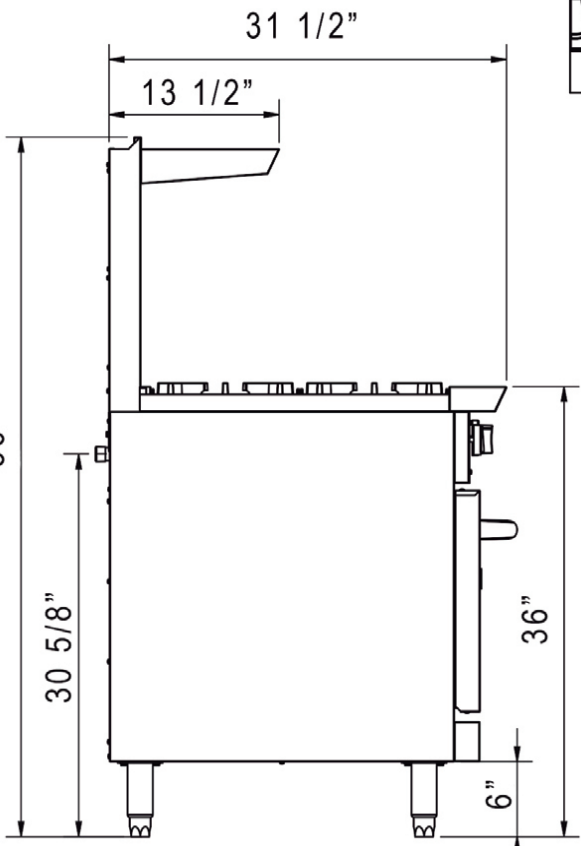
3/4" NPT **Connection** 3/4" NPT

if to be used above 2000 ft, specify altitude and gas type when ordering

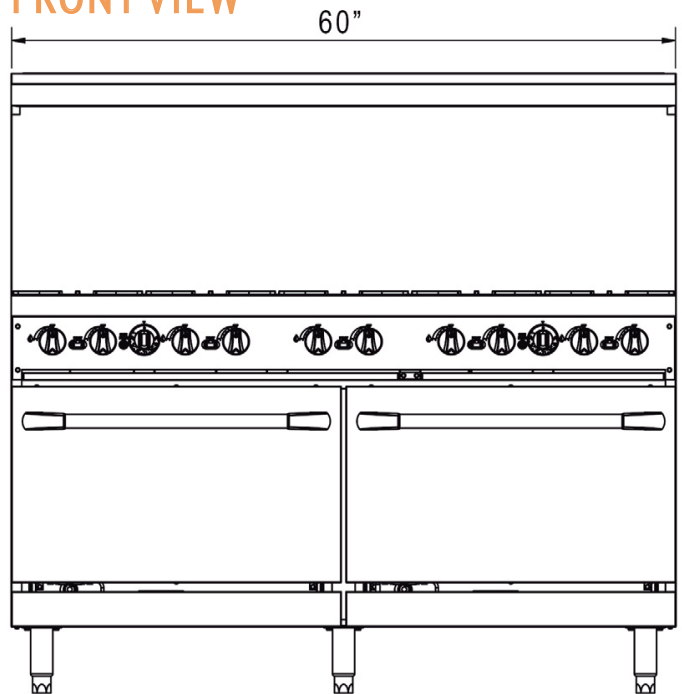
### TOP VIEW



### SIDE VIEW



### FRONT VIEW



#### ASSEMBLY/SUPPORT



#### MORE PRODUCTS



## SAFETY

Keep combustibles a minimum of 17" away from the equipment. Keep a clearance of 4" at the rear.

 We're on social media! 