



223 W Rosecrans Ave., Gardena, CA 90248  
T. 310-808-0102 www.blueairfse.com

Project:	
Location:	
Item #:	
Model #:	Qty:
AIA #:	SIS #:
CSI Section 11400	

## Back Bar Cooler - Narrow Depth

Model  
**BLNBB-60B-HC**

### Model **BLNBB-60B-HC**



### Cabinet Construction

- Stainless steel top with black powder-coated steel exterior and stainless steel interior
- High-density, foamed-in-place polyurethane insulation – environmentally friendly
- Two (2) adjustable shelves per section
- Interior height allows stacking of three “tall boy” beers
- Four (4) 4” diameter swivel casters with front brakes standard

### Refrigeration

- Front-breathing, side-mounted compressor for efficient operation in tight spaces and easy service access
- Forced-air cooling system maintains consistent temperature throughout the cabinet for reliable performance
- Automatic defrost system minimizes maintenance and ensures stable operation

### Hydrocarbon refrigerants (R-290)

- Hydrocarbon refrigerant (R-290) increases energy efficiency and does not deplete the ozone layer.

### Doors

- Black recessed door handles
- Durable gasket with easy replacement
- Standard door locks

### Design & Features

- LED interior lighting for enhanced product visibility
- Digital temperature control with real-time monitoring
- Optimized airflow for consistent cooling performance
- Maintains cabinet temperatures of 34°F to 38°F for optimal beverage preservation

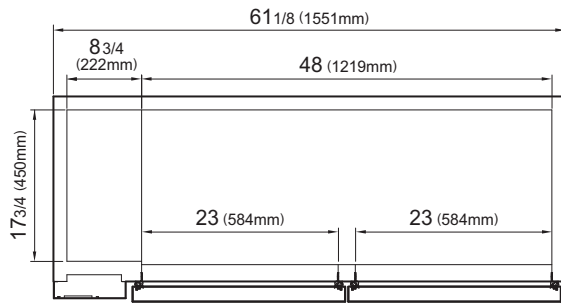


Model	Doors	Shelves	Capacity (Cu.ft.)	HP	AMPS	W x D x H <sup>†</sup> (inches)	Crated Weight (lbs.)
BLNBB-60B-HC	2	4	15.6	1/3	3.0	61 1/8 x 24 3/8 x 36 1/4	301

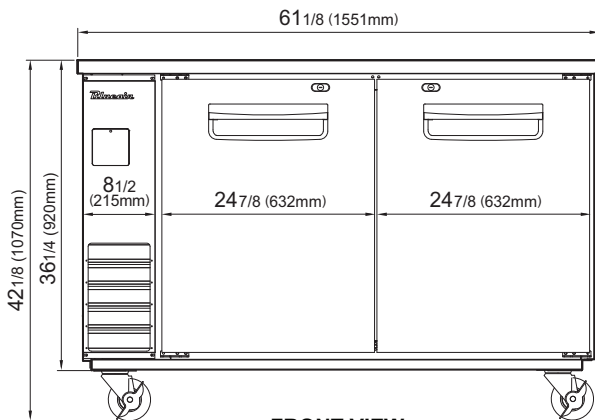
# Back Bar Cooler - Narrow Depth

## PLAN VIEW

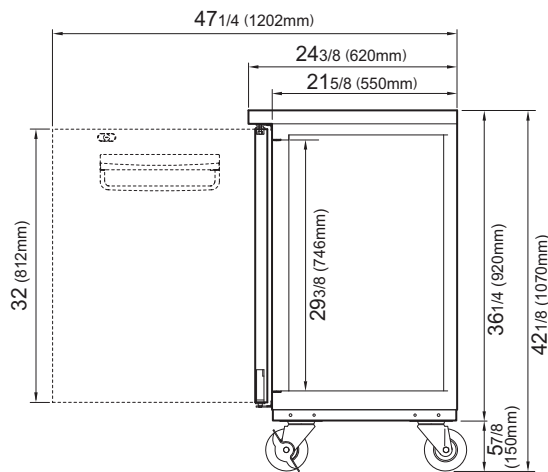
(Unit: inches)



TOP VIEW




FRONT VIEW



SIDE VIEW

Model

## BLNBB-60B-HC

Voltage	115V/60Hz
NEMA Config.	 NEMA 5-15P
AMPS	3.0
HP	1/3
Cord Length (ft.)	9.2
Refrigerant	R-290
Ext. Width (inches)(mm)	61 1/8 (1551mm)
Ext. Depth (inches)(mm)	24 3/8 (620mm)
Ext. Height (inches)(mm)†	36 1/4 (920mm)
Doors	2
Shelves	4
Net Capacity (cu. ft.)	15.6
6-pack of 12 oz Bottles	54
6-pack of 12 oz Cans	108
Net Weight	275 lbs. (125 kg)
Gross Weight	301 lbs. (137 kg)

Specifications subject to change without notice.  
† Height does not include 5-7/8" for caster height.

## Warranty



**3 Year Parts and Labor Warranty**  
**5 Year Compressor Warranty**

## Standard Features

- Four (4) 4" diameter casters with front brakes
- Door locks
- Self-contained system



223 W Rosecrans Ave., Gardena, CA 90248  
T. 310-808-0102

 blueairfse.com  
 orders@blueairfse.com