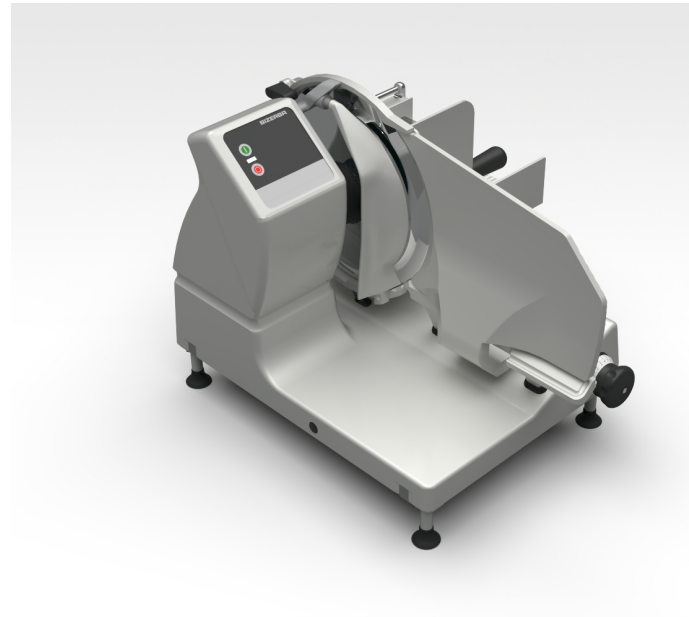


**TECHNICAL DATA SHEET**

---

# VSV - manual vertical slicer with meat carriage

VSV slicer: top ergonomics, hygiene & safety.  
Strong value, premium build & perfect for food service & trade.



The vertical carriage arrangement of the VSV ensures an ergonomic, upright operating posture while providing optimal visibility of the slicing result. The adjustable product support prevents the sliced goods from slipping down the blade and forming unsightly "tails." A highlight of the manual vertical slicers is the option to integrate a weighing scale.

## Highlights

Hygienic design:

- Tool-free disassembly
- Large distance between blade and motor housing - plenty of room for easy cleaning by hand

---

Fine adjustment of slice thickness between 0 - 3 mm / 0-0,01"

---

Easy assembly: Innovative blade cover with intelligent quick lock system

---

## Applications

- ✓ **All-round machine in kitchens and cafeterias**
- ✓ **Sales counters with limited space**

## Options

Version with integrated portion scale

---

Blade options: Channeled blade, hollow ground blade

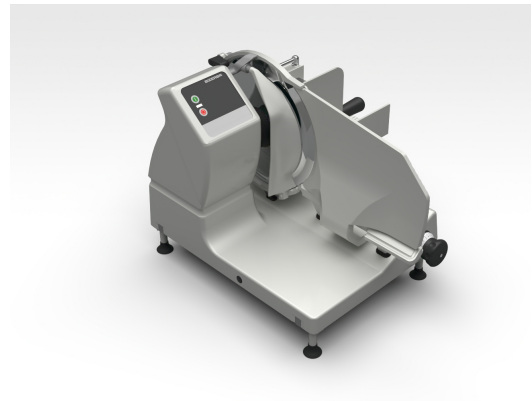
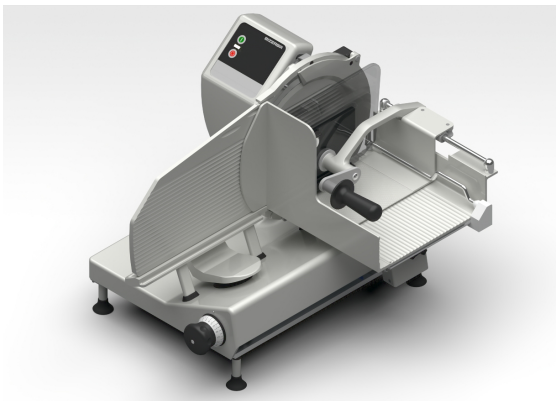
---

Remnant holder variants

---

Product guiding

---



## Technical Data

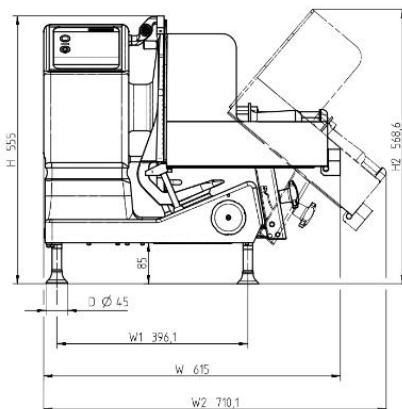
Specifications	Facts	Details
<b>Dimensions &amp; weight</b>		
<b>Dimensions (L x W x H)/(D x W x H)</b>	708 x 615 x 555 mm 27,9" x 24,2" x 21,9"	
<b>Installation area (L x W)</b>	594 x 442 mm 23,4" x 17,4"	
<b>Material</b>	anodized aluminum	
<b>Weight</b>	49 kg 108 lb	
<b>Work surface (L x W x H)</b>	844 x 711 x 569 mm 33,2" x 28,0" x 20,4"	

Product images and technical information may vary and may not be available in your country.

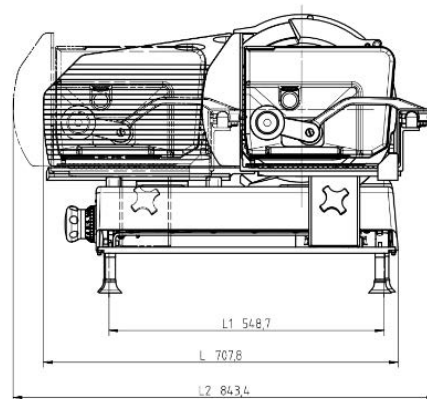
## Technical Data

Specifications	Facts	Details
<b>Performance data</b>		
Voltage variants	120 V	60 Hz, 2,8 A
<b>Ambient conditions</b>		
Protection class	IP33	
<b>Scale information</b>		
Approval information	ETL ETL-Sanitation	
Weighing range	3 kg	
<b>Slicing properties</b>		
Blade diameter	350 mm / 13,8"	
Slicing thickness	0-24 mm 0 - 0,94"	
Maximum product size	Hight: 240 mm / 10,6" Width: 315 mm / 12,4" Round: 270 mm / 10,6"	

## Dimensional Drawings



VSV front



VSV side

Product images and technical information may vary and may not be available in your country.

**Symbols**



**Bizerba: Everything from a single source**

01  
**Hardware**

---

02  
**Software**

---

03  
**Labels**

---

04  
**Service**

---

05  
**Financing**

---

**SOUNDS GOOD?**

---

**Contact our solution specialists**

Schedule a non-binding appointment or request more information.

Bizerba USA  
1804 Fashion Ct  
Joppa, MD 21085 USA

T +1 (732) 565-6000  
us.info@bizerba.com

<https://www.bizerba.com>



**More Information**

Product images and technical information may vary and may not be available in your country.