

Infusion Series ICB Twin Coffee Brewer

Features



Infusion Series ICB Twin

(servers sold separately)
Dimensions: 26.8" x 24.4" x 20.2"
(68.1cm x 62.0cm x 51.3cm)

Infusion Series ICB Twin Brewer

- Sleek modernized design language, with rounded angles on the corners and trunk
- Brews into 2.5 to 3.8L (84 to 128 oz) airpots and 3.8 to 5.7L (1 to 1.5 gallon) baseless Thermofresh servers
- Digital readout displays in English, Spanish, or French ---for easier programming and control--- and can show either 'Standard' or Metric measurements. Digital readout also shows machine status, and targeted advertising messages can be programmed for display.
- Large 5.6 gallon (21.2L) tank provides back-to-back brewing capacity
- BUNN Infusion Series technology allows for multiple recipes from one footprint --- with three brew buttons and two batch sizes
- Energy-saver mode reduces tank temperature during idle periods
- Exclusive Peak Extraction[™] Sprayhead is multi-directional with a 17-hole design to ensure ultimate uniformity of extraction
- Electronic funnel lock prevents removal of each brew funnel until drip-through is complete
- USB programming capable
- Brew counter keeps track of how many batches are brewed
- Pre-infusion and pulse brew for maximum flavor extraction. Cold brew lockout & digital temperature control further ensure top-notch brewing.
- Hot water faucet (supplied for custom installation)

Related Products

Easy Clear[®] EQ-17-TL

Product No. : 30200.1000
Dimensions:
12¹/₁₆" H x 2¹/₂" W x 3" D
(31.6 cm H x 6.35 cm W x 7.62 cm D)



Gourmet Filter Pack

Product No. : 20138.1000
Packed per case: 500
Dimensions:
13 ³/₄" x 5 ¹/₄"
(34.93cm x 13.34cm)



Easy Clear[®] ED-17-TL

Product No. : 30201.1001
Dimensions:
8¹/₄" H x 2⁵/₁₆" Dia.
(20.95 cm H x 5.87 cm Dia.)

Model

Infusion ICB Twin

Agency Listing



Dimensions & Specifications

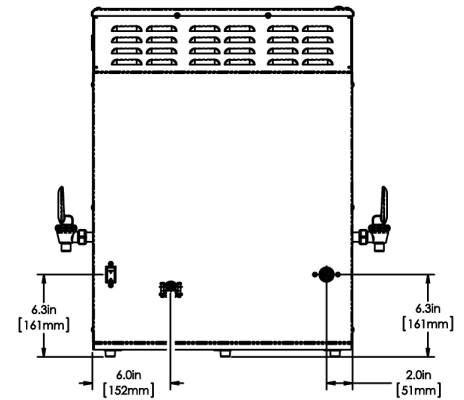
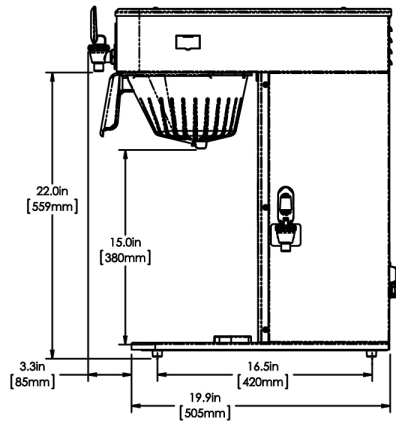
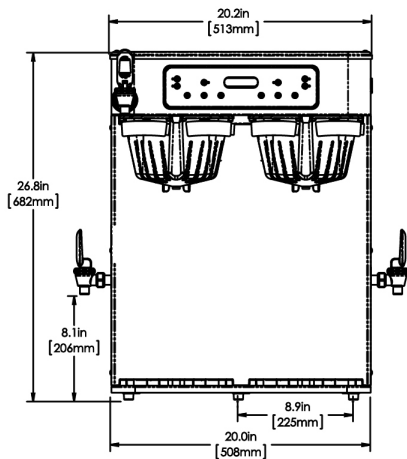
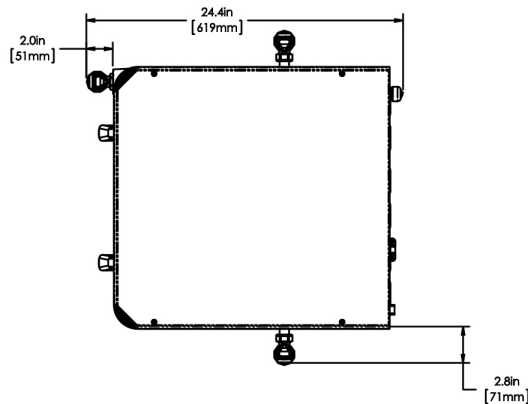


Model	Product #	Volts	Amps	Total Watts	Capacity per hour (8oz/236ml cups)	Cubic ft ³ /m ³	Weight lbs/kg	Cord Attached
Infusion ICB Twin	53200.6100	120/240	25	6000	280	3.36/.09	46.8/21.2	No

Capacity: Incoming water temp of 60°F (15.5°C)

Electrical: Requires 3-wires plus ground service rated 120/240V, single phase, 60Hz.

Plumbing: 20-90 psi (138-621 kPa). Supplied with 3/8" male flare fitting.



Bunn-O-Matic® Corporation of Canada • 280 Industrial Pkwy South, Aurora Ontario. L4G 3T9 • (905) 841-2866 • www.bunn.com

BUNN® practices continuous product research and improvement. We reserve the right to change specifications and product design without notice. Such revisions do not entitle the buyer to corresponding changes, improvements, additions or replacements for previously purchased equipment.

All dimensions shown in centimeters.