

## Infusion Series Platinum Edition ITCB-DV, 29" W/Tray



### ITCB-DV Infusion PE

(server sold separately)

Dimensions: 35.0" x 21.8" x 11.6"  
(88.9cm x 55.4cm x 29.5cm)

### Features

- 4.3" Color Touchscreen aids in customizing recipes, brewing options and control
- The QWERTY key pad feature allows for easy customization of recipe names in English, Spanish and French
- SmartWAVE sprayhead technology creates an industry best uniformity of extraction for exceptionally smooth tasting coffee
- Customers can easily add up to 10 screensaver images to advertise and promote their brand and products
- USB port for easy programming
- BUNN Infusion Series technology allows for multiple recipes from one footprint
- Includes both coffee (Stainless) and tea (Plastic) funnels
- Energy-saver mode reduces tank temperature during idle periods
- Exclusive Peak Extraction™ Sprayhead is multi-directional with a 7-hole design to ensure ultimate uniformity of extraction
- Electronic funnel lock prevents removal of each brew funnel until drip-through is complete
- Pre-infusion and pulse brew for maximum flavor extraction. Cold brew lockout & digital temperature control further ensure top-notch brewing
- Brews into all BUNN iced tea dispensers (except TDS-5), 1.9 to 3.8 liter airpots, thermal carafes --- and can accommodate BUNN ThermoFresh® Servers [servers not included]
- Includes integrated flip tray that converts to three positions: thermal carafe, airpot and tea dispenser
- Dual voltage adaptable (can operate at 120V/15 amp or 120/208-240V/20 amp)

### Related Products

#### WATER FILTER, EQHP-5C

Product No. : 39000.0014



#### CARTRIDGE, EQHP-5CCRT

Product No. : 39000.1014



### Model

ITCB-DV Infusion Platinum Edition

### Agency Listing



# Dimensions & Specifications



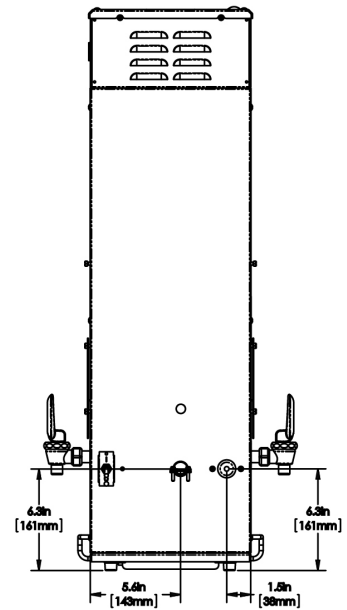
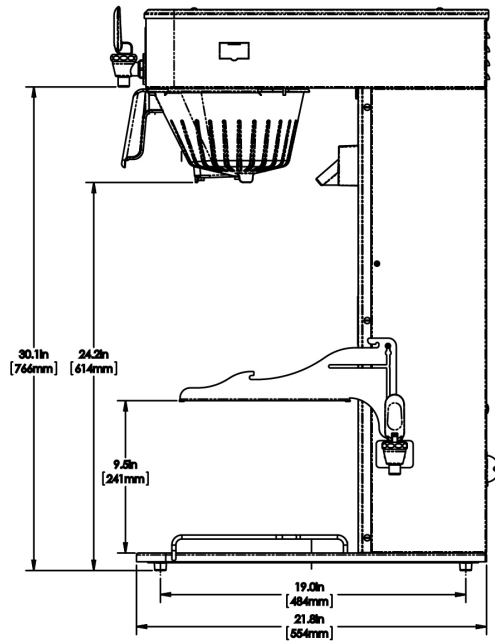
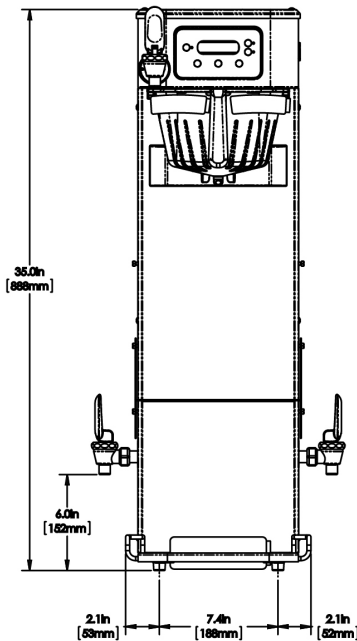
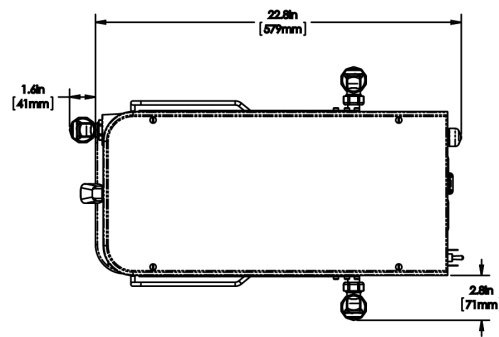
Model	Product #	Volts	Amps	Tank Htr Watts	Total Watts	Capacity per hour	Cubic ft <sup>3</sup> /m <sup>3</sup>	Weight lbs/kg	Cord Attached
ITCB-DV HV Infusion	52500.6100	120	14		1700	82 8oz. cups	10.1/0.28	78.4/35.5	yes
		120/208	14		2900	136 8oz. cups	10.1/0.28	78.4/35.5	
		120/240	17		4050	183 8oz. cups	10.1/0.28	78.4/35.5	

Capacity: Incoming water temp of 60°F (15.5°C)

Electrical: If wired for 120V, requires 2-wires plus ground service rated 120V, single phase, 60 Hz.

If wired for 120/208V or 120/240V, requires 3-wires plus ground service rated 120/208V or 120/240V, single phase, 60 Hz. Brewer is supplied with a NEMA 5-15P plug. Receptacle is not included (NEMA 5-15P).

Plumbing: 20-90 psi (138-621 kPa). Supplied with 1/4" male flare fitting and garden hose fitting.



Bunn-O-Matic® Corporation of Canada • 280 Industrial Pkwy South, Aurora Ontario. L4G 3T9 • (905) 841-2866 • www.bunn.com

BUNN® practices continuous product research and improvement. We reserve the right to change specifications and product design without notice. Such revisions do not entitle the buyer to corresponding changes, improvements, additions or replacements for previously purchased equipment.

All dimensions shown in centimeters.