

BUNN refresh - Counter Top Push Button



Features

- Recommended for the Quick Serve, Full Service Restaurant, Healthcare, College and University, Amusement and Leisure, Office Systems, Lodging/Hospitality, Convenience Store and Specialty/Retail Bar channels.
- Purity achieved with water filter certified to reduce cysts, lead, particulates, chloramines, chlorine taste and odor and 99.99% of common water-borne bacteria.
- Recirculation loop ensures cold water is constantly circulating for consistent low casual drink temperature of 40°F water.
- In-line patent-pending water mistifier provides the delicate balance of purified, cold water and "light" carbonation for longer lasting sparkling water and optimal absorption of flavors.
- The perfect instrument to incorporate infusions and natural ingredients for crafted beverages.
- New visual design language worthy of front-of-the-house settings.

Model Refresh - Counter Top Push Button

Dimensions: 27.0" x 26.5" x 10.0"
(68.6cm x 67.3cm x 25.4cm)

Related Products

WATER FILTER, EQHP-5C

Product No. : 39000.0014



KIT, CO2 TWIN 20 LB TANK

RACK W/ REGULATOR

Product No. : 52367.1000



CARTRIDGE, EQHP-5CCRT

Product No. : 39000.1014



KIT, PRIMARY CO2 REGULATOR

Product No. : 52820.0000

Model

Refresh - Counter Top Push Button

Agency Listing



Dimensions & Specifications

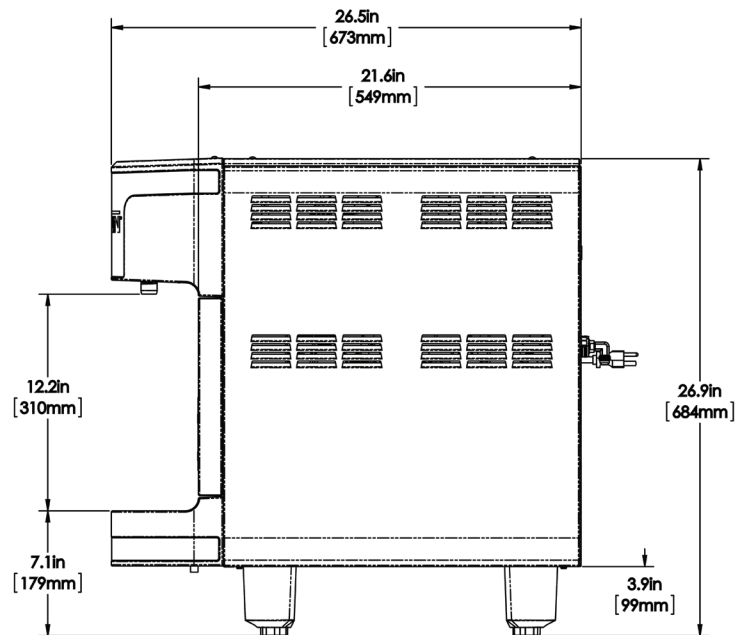
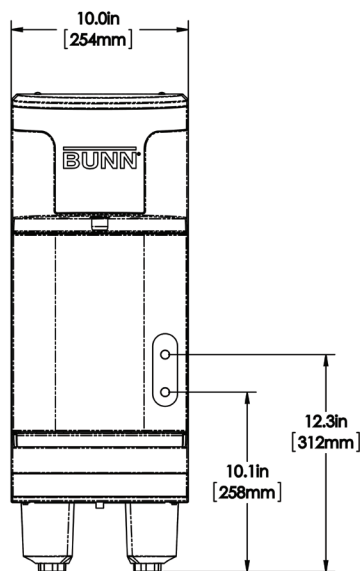
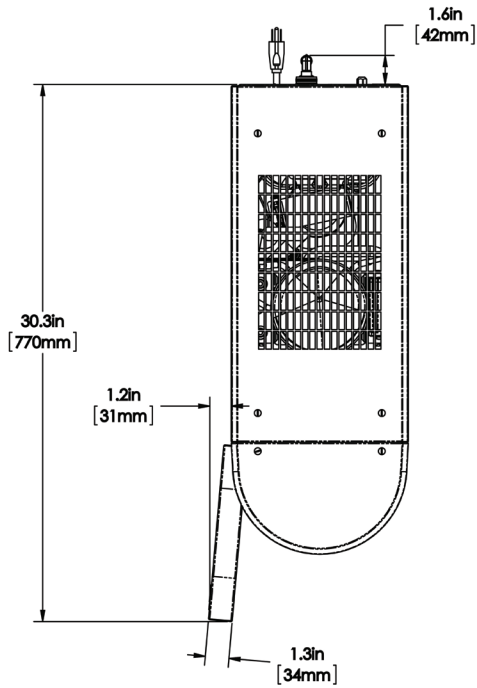


Model	Product #	Volts	Amps	Tank Htr Watts	Total Watts	Capacity per hour	Cubic ft ³ /m ³	Weight lbs/kg	Cord Attached
Refresh Counter Top Push Button	45800.6000	120	4.5	-	540	-	17.9/0.5	103/46.7	Yes

Capacity: Incoming water temp of 60°F (15.5°C)

Electrical: Requires 2-wires plus ground service rated 120/208V or 120/240V, single phase, 60Hz. Brewer is supplied with a cordset and a NEMA 5-15P plug. Receptacle is not included (NEMA 5-15P).

Plumbing: 30-100 psi (207-689 kPa). Supplied with 3/8" male flare fitting and Quick Disconnect hose assembly.



Bunn-O-Matic® Corporation of Canada • 280 Industrial Pkwy South, Aurora Ontario. L4G 3T9 • (905) 841-2866 • www.bunn.com

BUNN® practices continuous product research and improvement. We reserve the right to change specifications and product design without notice. Such revisions do not entitle the buyer to corresponding changes, improvements, additions or replacements for previously purchased equipment.

All dimensions shown in centimeters.