

5 Gallon Portion Control Dual Voltage Hot Water Machine



Model H5E-DV PC

Dimensions: 28.4" H x 7"W x 15.5"D
(72.1cm H x 17.8cm W x 39.4cm D)

Features

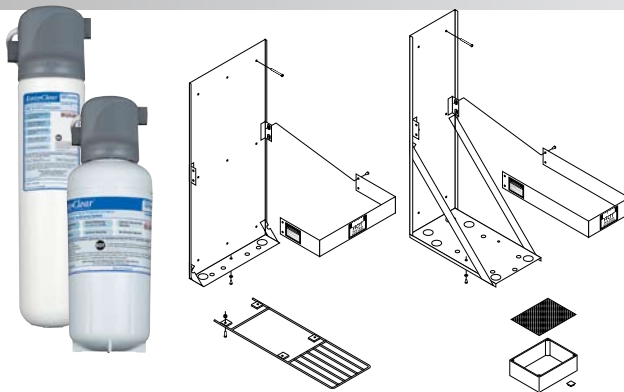
5 Gallon Portion Control Hot Water Machine

- Locate hot water at preparation site to increase speed, safety and efficiency of kitchen staff.
- Prepare large amounts of mashed potatoes, gravy, cheese sauce, gelatin, oatmeal, and many more foods.
- Dispenses hot water in three portion sizes.
- Precise electronic temperature control (65°F-205°F) (18.3°C-96.1°C) ensures consistent water temperature.
- Three programmable volume settings and one push and hold continuous dispense button.
- Front of machine volume programming.

Related Products

Easy Clear® EQHP-10L
Product No. : 39000.0001

Easy Clear® EQHP-25L
Product No. : 39000.0002



1. Wall Mount Bracket (side)

Product No. : 12542.0000
Dimensions: 30" H x 13 1/2" W x 4 1/2" D
76.2 cm H x 34.29 cm W x 11.43 cm D

2. Wall Mount Bracket (front)

Product No. : 13125.0001
Dimensions: 30 1/2" H x 8 1/2" W x 15 1/4" D
77.47 cm H x 21.59 cm W x 38.74 cm D

3. Container Holding Shelf

Product No. : 12599.0000
Dimensions: 6 3/4" W x 21" D
17.15 cm W x 53.34 cm D

4. Drip Tray

Product No. : 02497.7000

Model

H5E-DV PC

Agency Listing

Dimensions & Specifications



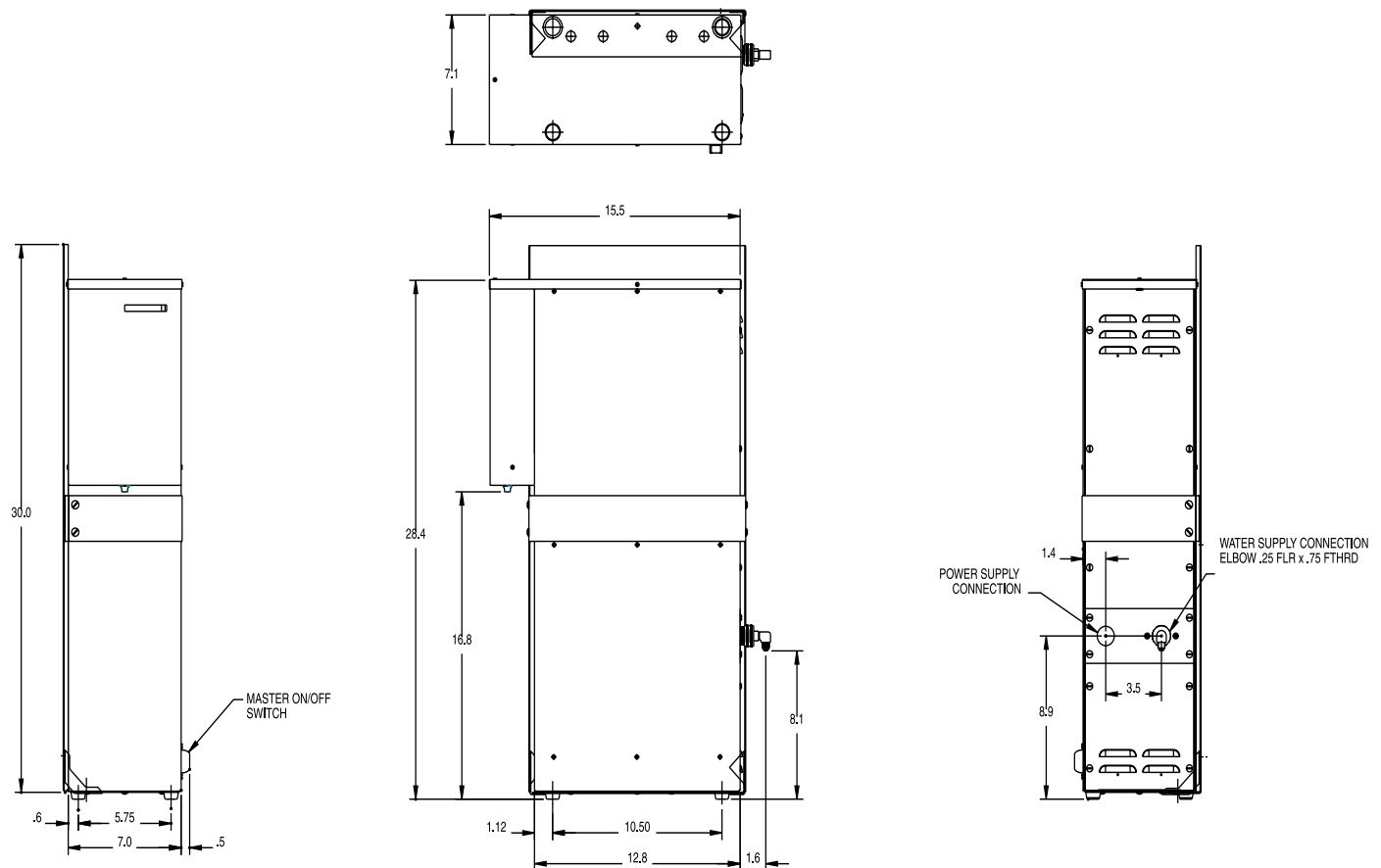
Model	Product #	Volts	Amps	Tank Htr Watts	Total Watts	°F / °C Settings	Gal/Hr† cold water input 35°	Gal/Hr† hot water input 140°	Cubic Ft³/m³	Weight lbs/kg	Cord Attached
H5E-DV PC	39100.6000	120	12.3	1425	1480	200°/ 93.3*	3.7/ 14	8.1/ 30.8	4.0/.1132	35/ 15.88	No
		120/240	16.9	4000	4050		7.3/ 27.7	14.7/ 55.8			
H5E-DV PC	39100.6001	120	12.3	1425	1480	90°/ 32.2*	8.1/ 30.8	n/a	4.0/.1132	35/ 15.88	No
		120/240	16.9	4000	4050		14.7/ 55.8	n/a			

Electrical: 120 Volt setting requires 2-wires plus ground service, single-phase.
 120/240 Volt setting requires 3-wires plus ground service, single-phase.
 Supplied strain relief on rear side of machine.

Plumbing: 20-90 psi (138-621 kPa). Machine supplied with 1/4" (6.3 mm) OD male flare fitting.

* Adjustable 65°F (18.3°C) to 205°F (96.1°C).

† Based upon a maximum single dispense of 2 gallons (7.6 liters) per portion.



Bunn-O-Matic® Corporation of Canada • 280 Industrial Pkwy South, Aurora Ontario. L4G 3T9 • (905) 841-2866 • www.bunn.com

BUNN® practices continuous product research and improvement. We reserve the right to change specifications and product design without notice. Such revisions do not entitle the buyer to corresponding changes, improvements, additions or replacements for previously purchased equipment.

All dimensions shown in centimeters.