

AXIOM[®] BrewWISE[®] 12 Cup Automatic Coffee Brewer



Model AXIOM-DV-3, BrewWISE

(decanters sold separately)

Dimensions: 19.75" H x 8.4" W x 17.7" D
(50.2cm H x 21.3cm W x 44.9cm D)

Features

AXIOM BrewWISE Dual-Voltage Coffee Brewer

- BrewWISE Coffee Server Management technology:
 - Tracks the age of brewed coffee
 - LCD, colored LEDs and audible alert indicate coffee freshness
 - Automatic warmer shut-off when decanter is removed or freshness time has expired
 - Works with glass decanters or Thermos[®] carafes with RFID chip
 - Warmers automatically deactivate when used with Thermos[®] carafes with RFID chip
- Large 200 oz. (5.9 litres) tank provides back-to-back brewing capacity
- Dual voltage units are adaptable to 120V/15 amp or 120/208-240V/20 amp
- Adjusts automatically to varying water pressure
- For high lime areas, BrewLOGIC[®] technology calculates flow rate and adjusts brew time to maintain consistent pot levels
- BrewWIZARD[®] technology simplifies brewer programming with a LCD display. Ensure coffee quality with front of machine settings for brew level, cold brew lock-out and tank temperature
- Digital temperature control and accuracy
- SplashGard[®] funnel deflects hot liquids away from the hand
- Coffee extraction controlled with programmable pre-infusion, pulse brew and digital temperature control
- Energy-saver mode reduces tank temperature during idle periods

Related Products

Easy Clear[®] EQ-17-TL

Product No. : 30200.1000



Easy Clear[®] ED-17-TL

Product No. : 30201.1001

Paper Filter Pack

Product No. : 20115.6000

Packed per case: 1,000

Dimensions: 4¹/₄" Base x 2³/₄" Sidewall

10.8 cm Base x 6.98 cm Sidewall



Easy Pour[®] black decanter

Product No. : 06100.0201

Quantity: 1 (also packaged in quantities of 3 & 24)



Easy Pour[®] orange decanter (decaf)

Product No. : 06101.0201

Quantity: 1 (also packaged in quantities of 3 & 24)



WX1-warmer

Product No. : 06450.6000

One position warmer



WX2-warmer

Product No. : 06310.6000

Two position warmer



Model

AXIOM-DV-3, BrewWISE

Agency Listing



Dimensions & Specifications



Model	Product #	Volts	Amps	Tank Htr Watts	Total Watts	Capacity per hour	Cubic ft ³ /m ³	Weight lbs/kg	Cord Attached
AXIOM-DV-3	38700.6072*	120	12.5	1150	1500	3.8 gal /14.4 liter	4.0 /1.113	30 /13.6	Yes
BrewWISE		120/208	13.9	2290	2640	6.7gal /25.4 liter			
1L/2U Warmers		120/240	15.7	3060	3410	7.5 gal /28.4 liter			

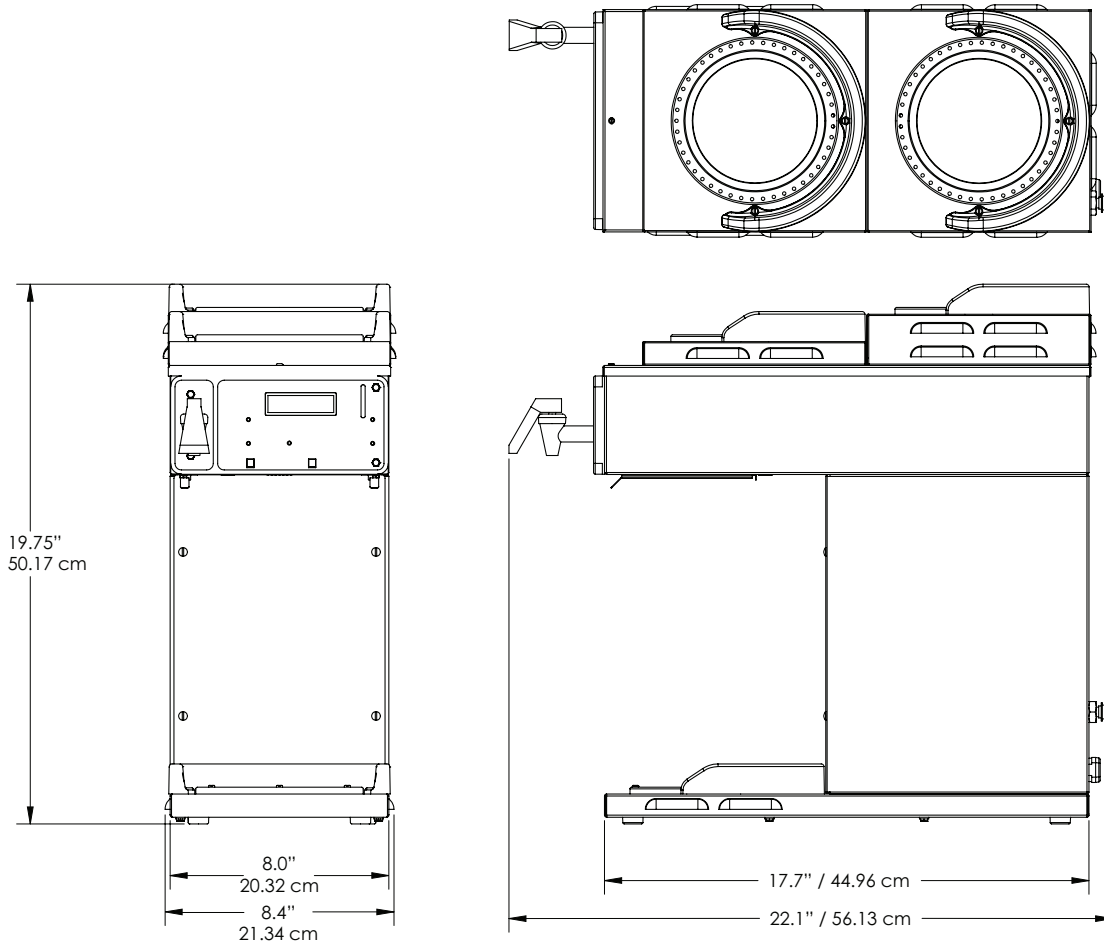
* S/S Funnel

+ Plastic Funne

Brewing capacity: based upon incoming water temp of 60°F (140°F rise) per 1/2 gallon brew time of 4 minutes.

Electrical: 120 volt, 15 amp. models require 2-wires plus ground service rated 120V, single phase, 60 Hz.
If wired for 120/208V or 120/240V, required 3 wires plus ground service rated 120/208V or 120/240V, single phase, 60Hz.

Plumbing: 20-90 psi (138-621 kPa). Machines supplied with ¼" male flare fitting.



Bunn-O-Matic® Corporation of Canada • 280 Industrial Pkwy South, Aurora Ontario. L4G 3T9 • (905) 841-2866 • www.bunn.com

BUNN® practices continuous product research and improvement. We reserve the right to change specifications and product design without notice. Such revisions do not entitle the buyer to corresponding changes, improvements, additions or replacements for previously purchased equipment.

All dimensions shown in centimeters.

1/16 © Bunn-O-Matic Corporation