

Liquid Coffee Ambient Dispenser



Features

Liquid Coffee Ambient Dispenser

- Accommodates 1/2gal (1.9L) and most 1gal (3.8L) bag-in-box (BIB) containers
- Attractive appearance and narrow 12" (30.5 cm) width
- FlavorGard® technology continuously monitors extract-to-water ratio and assures flavor consistency
- Refill or rinse LED lights alert the operator for concentrate or cleaning
- Ventilated Cabinet
- Insulated product cabinet assures maximum product life

Model LCA-2 (w/Scholle 1910 1/8")

Dimensions: 31.3" H x 12.2" W x 24.8" D
(79.5 cm H x 31 cm W x 63 cm D)

Related Products

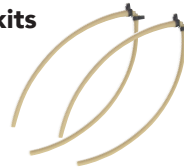
Easy Clear® EQHP-10L

Product No. : 39000.0001
Use with 1.8 oz/sec. flow rate.



1/8" Replacement tube kits

Product No. : 37942.1000



Adapter/Tube Package

Scholle 1910
Product No.: 38800.0200

Adapter/Tube Package

QCDII
Product No.: 38800.0201

50 ml Graduated Cylinder Kit

Product No. : 34843.1000
For use in calibration of pumps.

Drip Tray Drain Kit

Product No. : 37309.0000

Adapter/Tube Package

Scholle Q/C
Product No.: 38800.0202

Adapter/Tube Package

Rapak
Product No.: 38800.0203

Model

LCA-2

Agency Listing



Dimensions & Specifications



Model	Product #	Dispense Rate 1.7oz Product Ratios	Connector Type	Volts	Amps	Tank Htr Watts	Total Watts	Capacity per hour	Cubic ft ³ /m ³	Weight lbs/kg	Cord Attached
LCA-2	34400.6001	45:1-100:1	Scholle 1910LX	120	12	1425	1440	73 cups	5.48/.15	89.4/18.3	Yes
LCA-2	36500.6001	45:1-100:1	Scholle 1910LX	120	12	1425	1440	73 cups	5.48/.15	89.4 /18.3	Yes
LCA-2*	36500.6002	45:1-100:1	Scholle 1910LX	120	12	1425	1440	73 cups	5.48/.15	89.4 /18.3	Yes

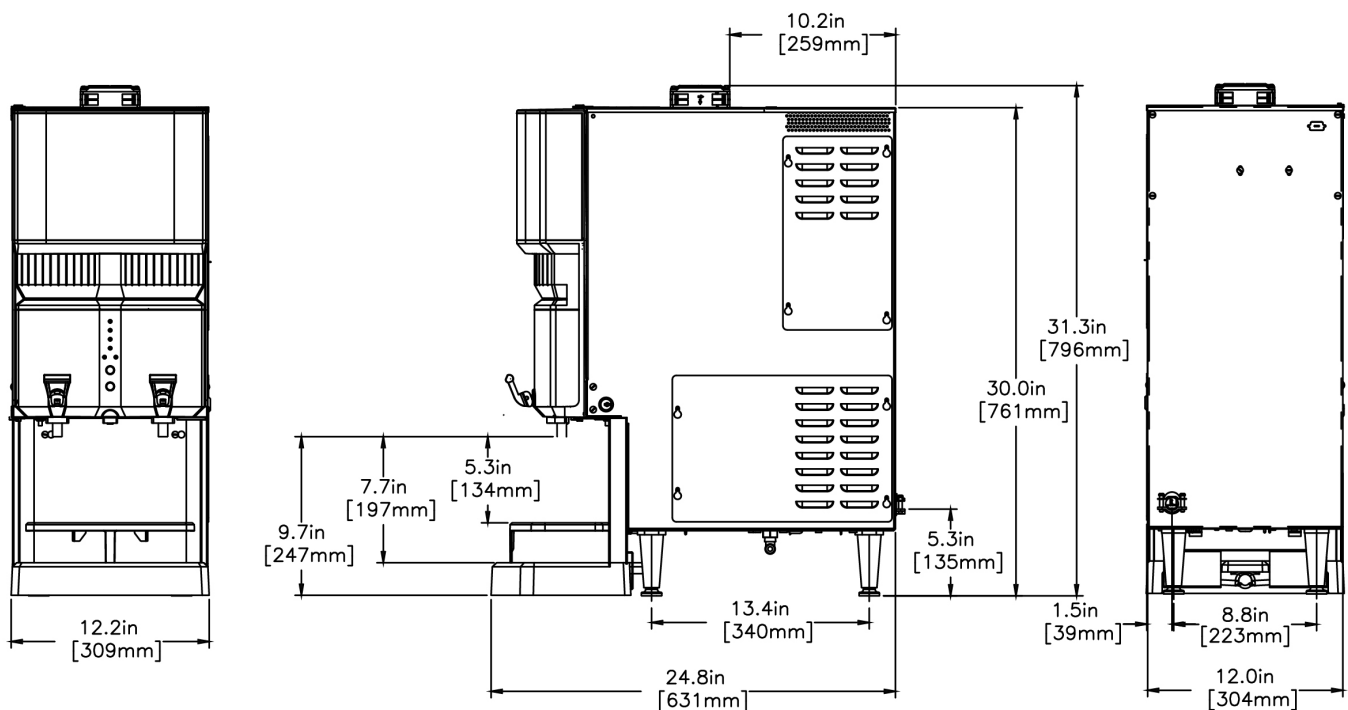
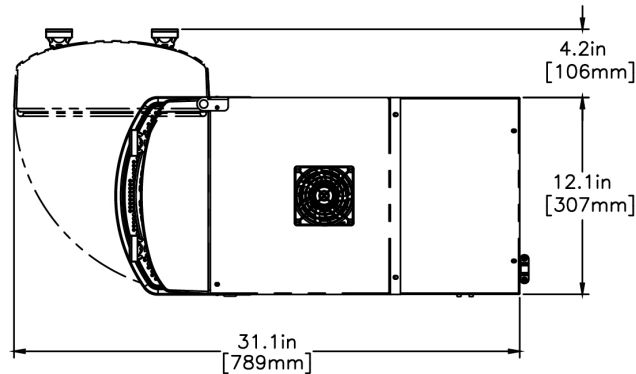
*Model comes with 3/16" tube

Capacity measured with a 8 oz. cup.

Electrical: 120V model requires 2-wires plus ground service rated 120V, single phase, 60 hz.

Power Cord: (NEMA 5-15P) 20 Amp-120V attached

Plumbing: 20-90 psi (138-621 kPa) from a 1/4" (6.35 mm) or larger supply line. Unit requires a 1 gpm line flow capacity. A shut-off valve should be installed in the line before the unit. Install a regulator in line when pressure is greater than 90 psi to reduce pressure to 50 psi. Supplied with 1/4" (6.35 mm) male flare fitting.



Bunn-O-Matic® Corporation of Canada • 280 Industrial Pkwy South, Aurora Ontario. L4G 3T9 • (905) 841-2866 • www.bunn.com

BUNN® practices continuous product research and improvement. We reserve the right to change specifications and product design without notice. Such revisions do not entitle the buyer to corresponding changes, improvements, additions or replacements for previously purchased equipment.

All dimensions shown in centimeters.