

Pourover Thermal Carafe Coffee Brewer



Model VPR-TC

(not included)

Dimensions: 18.9" H x 8.5" W x 17.7" D
(48cm H x 21.6cm W x 45cm D)

Features

Pourover Thermal Carafe Coffee Brewer

- Brews 3.8 gallons (14.4 litres) of perfect coffee per hour.
- Internal components are constructed from stainless steel.
- Pourover brewer requires no plumbing – completely portable.
- Just pour cold water in top and coffee brews immediately.
- Accommodates thermal carafe up to 8.5" (21.6 cm) tall.
- Use in quick turn environment where high quality coffee is continuously refreshed.
- Integral part of any office coffee service program.
- SplashGard® funnel deflects hot liquids away from the hand.

Related Products

Paper Filter Pack

Product No. : 20115.6000

Packed per case: 1,000

Dimensions: 4 $\frac{1}{4}$ " Base x 2 $\frac{3}{4}$ " Sidewall
10.8 cm Base x 6.98 cm Sidewall



Thermal Carafe

Product No. : 18022.6002

Dimensions: 8"H x 6.4"W x
8.2"D (20.3cm H x 16.3cm W x
21cm D)



Thermal Carafe (Orange Lid)

Product No. : 40163.0001

Dimensions: 8"H x 6.4"W x
8.2"D (20.3cm H x 16.3cm W x
21cm D)



Model

VPR-TC

Agency Listing



Dimensions & Specifications

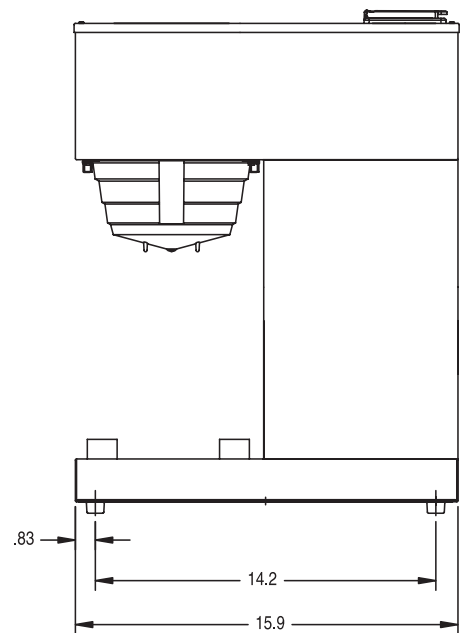
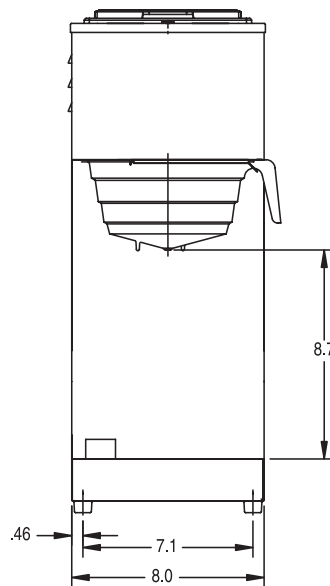
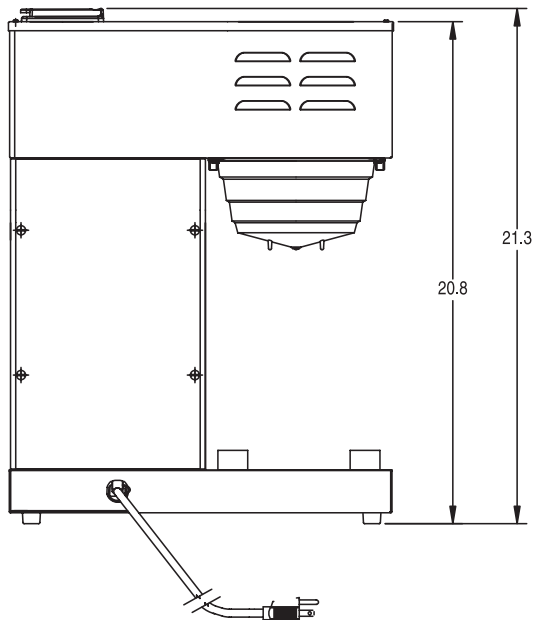
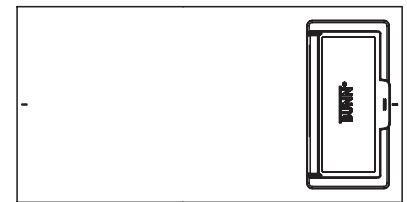
CANADA 

Model	Product #	Volts	Amps	Tank Htr Watts	Total Watts	Capacity per hour	Cubic ft ³ /m ³	Weight lbs / kg	Cord Attached
VPR-TC	33200.6011	120	11.4	1320	1375	3.8 gal/14.4 l	4.3 / .12	23 / 10.5	Yes†

†Power cord (NEMA 5-15P) 15 Amp-120V machine only.

Brewing capacity: based upon incoming water temp of 60°F (140°F rise) per 1/2 gallon brew time of 4 minutes.

Electrical: Model requires 2-wires plus ground service rated 120V, single phase, 60 Hz.



Bunn-O-Matic® Corporation of Canada • 280 Industrial Pkwy South, Aurora Ontario. L4G 3T9 • (905) 841-2866 • www.bunn.com

BUNN® practices continuous product research and improvement. We reserve the right to change specifications and product design without notice. Such revisions do not entitle the buyer to corresponding changes, improvements, additions or replacements for previously purchased equipment.

All dimensions shown in centimeters.

1/16 © Bunn-O-Matic Corporation