

Thermal Carafe Automatic Coffee Brewer

Features



12 Cup Automatic Coffee Brewer

- Brews 3.9 to 7.5 gallons (14.78 to 28.4 liters) of perfect coffee per hour.
- Accepts thermal carafe up to 8.5" tall (21.6cm).
- Use in quick turn environment where high quality coffee is continuously refreshed.
- Models are space saving 9.0" wide (22.9cm).
- All stainless steel construction.
- Hot water faucet available on automatics
- SplashGard[®] funnel deflects hot liquids away from the hand.
- Pourover feature.

Model CWTF-TC*

(no warmers) (thermal carafe sold separately)

Dimensions: 17.9" H x 9" W x 18.5" D
(45.5cm H x 22.9cm W x 55.4cm D)

Related Products

Easy Clear[®] EQ-17-TL

Product No. : 30200.1000

Dimensions:

12⁷/₁₆" H x 2¹/₂" W x 3" D

31.6 cm H x 6.35 cm W x 7.62 cm D



Thermal Carafe

Product No. : 18022.6002

Capacity 1.9 liter (64 oz)

Dimensions: 8"H x 6.4"W x 8.2"D

(20.3cm H x 16.3cm W x 21cm D)



Seamless Thermal Carafe

Product No. : 51746.0001

Capacity 1.9 liter (64 oz)

Dimensions: 7.3"H x 6.6"W x 9.2"D

(18.5cm H x 16.7cm W x 23.3cm D)



Paper Filter Pack

Product No. : 20115.6000

Packed per case: 1,000

Dimensions: 4¹/₄" Base x 2³/₄" Sidewall

10.8 cm Base x 6.98 cm Sidewall



Model

CW15-TC
CWT(F)-TC

Agency Listing



Dimensions & Specifications



Model	Product #	Volts	Amps	Tank Htr Watts	Total Watts	Capacity per hour	Cubic ft ³ /m ³	Weight lbs/kg	Cord Attached
Pourover Models									
CW15-TC	23001.6057	120	12.1	1450	1450	3.9 gal/14.78 liter	6.3/.178	28/12.7	Yes**
CW15-TC*	23001.6058	120	12.1	1450	1450	3.9 gal/14.78 liter	6.3/.178	28/12.7	Yes**
Automatic Models									
CWTF15-TC*	12950.6104	120	12.1	1450	1450	3.9 gal/14.78 liter	6.3/.178	35/15.9	Yes**
CWTF35-TC*	12950.6107	120/208	12.6	2620	2620	7.5 gal/28.4 liter	5.1/.144	35/15.4	No
		120/240	14.6	3500	3500	7.5 gal/28.4 liter	5.1/.144	34/15.4	No
CWTF35-TC*	12950.6113	120/208	12.6	2620	2620	7.5 gal/28.4 liter	5.1/.144	35/15.4	No
		120/240	14.6	3500	3500	7.5 gal/28.4 liter	5.1/.144	34/15.4	No
CWT35-TC* (No Faucet)	12950.6126	120/208	12.6	2620	2620	7.5 gal/28.4 liter	5.1/.144	35/15.4	No
		120/240	14.6	3500	3500	7.5 gal/28.4 liter	5.1/.144	34/15.4	No
CWTF DV-TC	12950.6123	120	12.3	1425	1475	4.5 gal/17.1 liter	5.1/.144	34/15.4	Yes
Optional Wiring Configuration:		120/208	12.0	2422	2472	6.5 gal/24.6 liter			No
		120/240	13.8	3225	3275	7.5 gal//28.4 liter			No

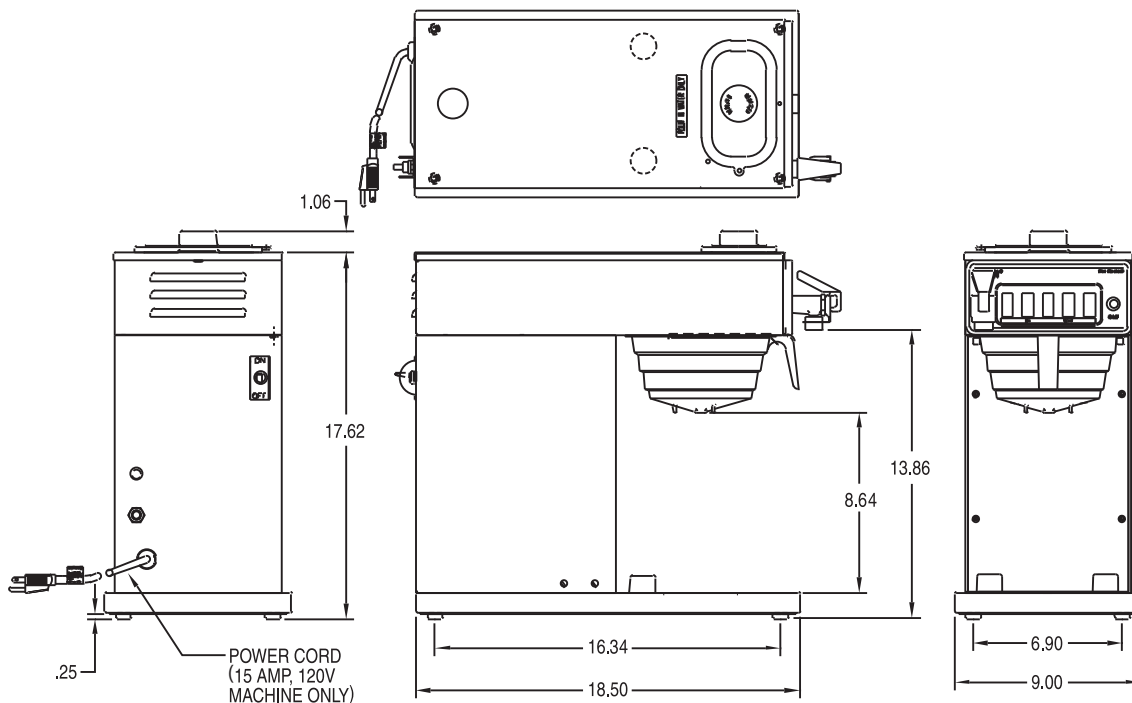
* Includes a stainless steel funnel **Power cord (NEMA 5-15P) 15 Amp-120V machine only.

Brewing capacity: based upon incoming water temp of 60°F (140°F rise) per 1/2 gallon brew time of 4 minutes.

Models listed as 120/208V or 120/240V must be connected to 208V or 240V electrical service respectively. Please refer to the installation manual.

Electrical: If wired for 120V, requires 2-wires plus ground service rated 120V, single phase, 60 Hz. If wired for 120/208V or 120/240V, requires 3-wires plus ground service rated 120/208V or 120/240V, single phase, 60 Hz.

Plumbing: 20-90 psi (138-621 kPa). Machine supplied with 1/4" male flare fitting



Bunn-O-Matic® Corporation of Canada • 280 Industrial Pkwy South, Aurora Ontario. L4G 3T9 • (905) 841-2866 • www.bunn.com

BUNN® practices continuous product research and improvement. We reserve the right to change specifications and product design without notice. Such revisions do not entitle the buyer to corresponding changes, improvements, additions or replacements for previously purchased equipment.

All dimensions shown in centimeters.