

WX1 Warmer

Features

Warmer

- Capacity for 1 server
- Stainless finish



WX1 Warmer

Dimensions: 2.5" x 7.0" x 7.0"
(6.4cm x 17.8cm x 17.8cm)

Related Products

Model

WX1 Warmer

Agency Listing

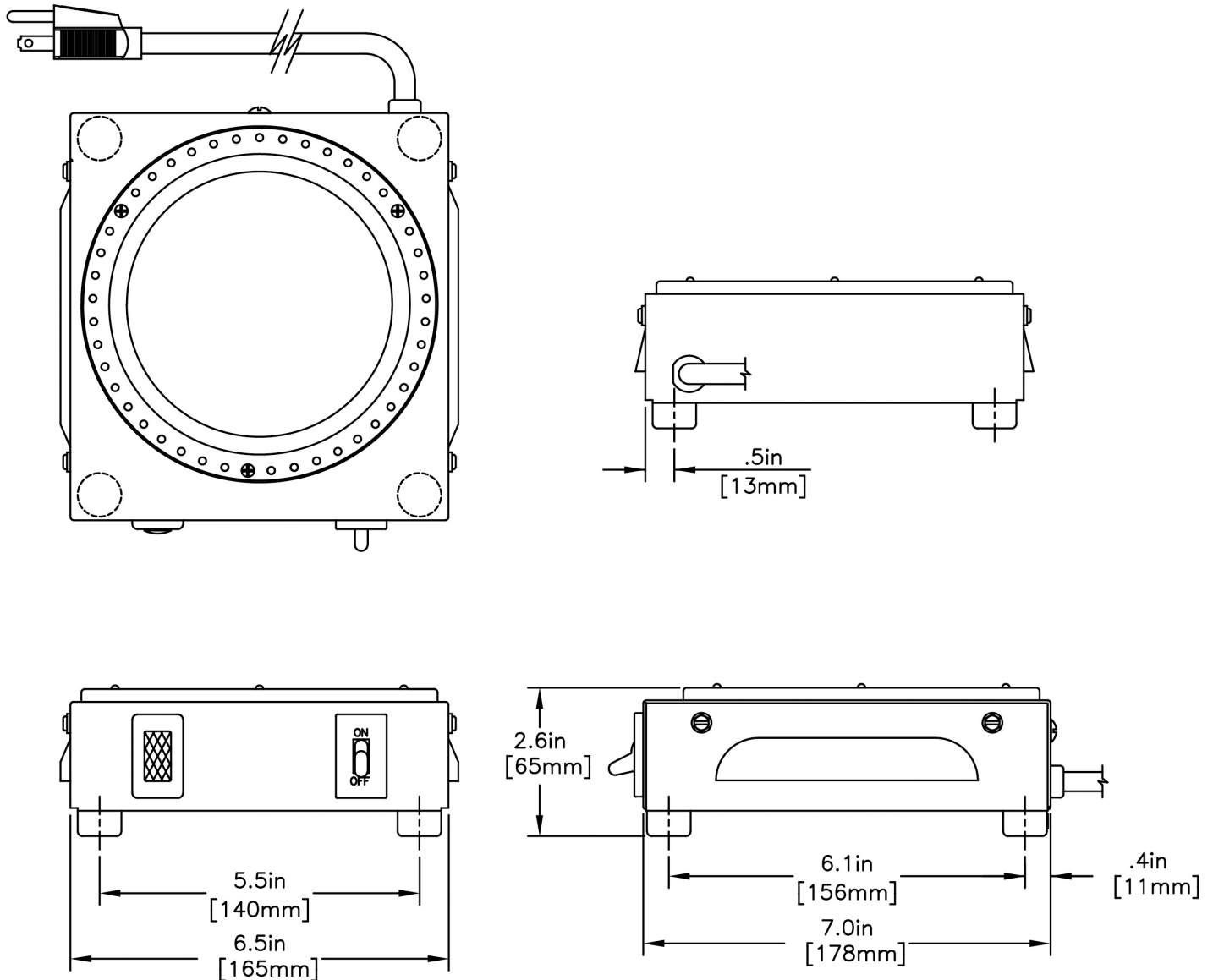


Dimensions & Specifications

CANADA 

| Model | Product # | Volts | Amps | Total Watts | Capacity | Cubic ft ³ /m ³ | Weight lbs/kg | Cord Attached |
|-------|------------|-------|------|-------------|----------|---------------------------------------|---------------|---------------|
| WX1 | 06450.6000 | 120 | 1 | 100 | 1 server | .07/.002 | | Yes |

Electrical: Requires 2-wires plus ground service rated 120/240V, single phase, 60Hz. Supplied with a cordset and a NEMA 5-15P plug. Receptacle is not included (NEMA 5-15P).



Bunn-O-Matic® Corporation of Canada • 280 Industrial Pkwy South, Aurora Ontario. L4G 3T9 • (905) 841-2866 • www.bunn.com

BUNN® practices continuous product research and improvement. We reserve the right to change specifications and product design without notice. Such revisions do not entitle the buyer to corresponding changes, improvements, additions or replacements for previously purchased equipment.

All dimensions shown in centimeters.

1/16 © Bunn-O-Matic Corporation