



"WE MAKE THE KITCHEN BETTER!"

ATOSA USA, INC.

Toll Free: 855-855-0399 Email: info@atosausa.com

www.atosa.com | www.atosausa.com

California, Colorado, Florida, Georgia, Illinois,

New Jersey, Ohio, Texas, Washington

MODELS:
AUF27D2

Undercounter Freezer with Drawers

Standard Features

- Stainless steel exterior & interior with reinforced stainless steel top
- Environmentally friendly R290 refrigerant
- Electronic temperature controller
- Maintains temperatures between -8°F – 1°F
- Recessed door handle(s)
- Magnetic drawer gasket(s)
- Top drawer accommodates 1 full size 12" x 20" x 6" and 3 - 1/6 size 6" deep pans - pans included
- Bottom drawer accommodates 1 full size 12" x 20" x 6" pan - pan included
- Pre-installed casters



AUF27D2

Optional Accessories

- Low profile casters available
- Extended warranty up to 5 years

For the best results of food preservation we recommend setting your freezer between -8°F to 0°F

1. Don't forget to leave the unit some room to breathe!
2. Please clean the condenser frequently to give the unit more fresh air.



2 YEAR PARTS AND LABOR WARRANTY
5 YEAR COMPRESSOR PART WARRANTY





"WE MAKE THE KITCHEN BETTER!"

ATOSA USA, INC.

Toll Free: 855-855-0399 Email: info@atosausa.com

www.atosa.com | www.atosausa.com

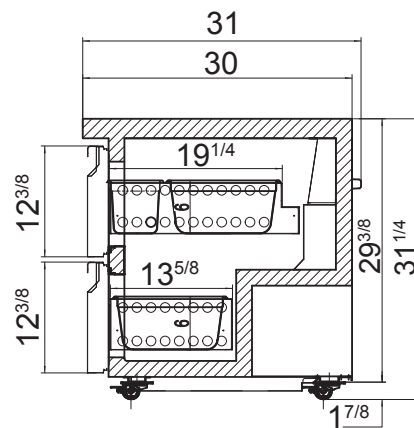
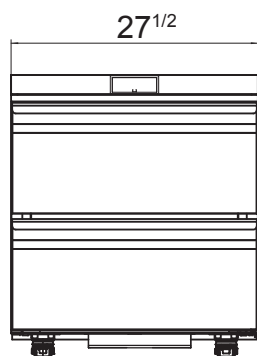
California, Colorado, Florida, Georgia, Illinois,

New Jersey, Ohio, Texas, Washington

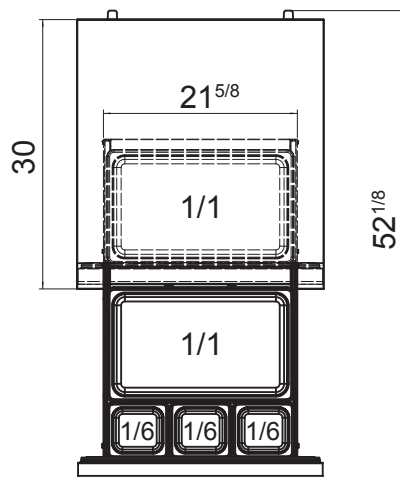
SPECIFICATIONS

Models	Drawers	Capacity (Cu.Ft.)	Casters (inch)	Amps (A)	Voltage (V/Hz/Ph)	HP	Refrigerant	Exterior Dimensions (inch)	Net Weight (lb)	Gross Weight (lb)
AUF27D2	2	6.5	2	3.9	115/60/1	1/5+	R290	27 ^{1/2} ×30×32 ^{1/2}	172	205

PLAN VIEW



Interior Dimensions



Casters



Rear grate



Temperature control

