

KEBOB BROILERS

GAS TYPE: NATURAL LP



- ARKB-24
- ARKB-36
- ARKB-48
- ARKB-60
- ARKB-72

STANDARD FEATURES

- Individually controlled stainless steel burners 30,000 BTU/hr. placed every 6"
- Heavy duty angled radiants for optimum heat distribution and removable for easy cleaning
- Angled radiants control flare-up while still imparting the char-broiled flavor
- Heavy gauge stainless steel frame spaced to allow support of the "shish" skewers
- Full width removable grease tray for easy cleaning
- One set of skewers comes standard with each unit, four skewers per foot
- 4" adjustable legs
- Two year limited warranty, parts, and labor

AVAILABLE OPTIONS

- Rotisserie
- Additional skewers available, sold in pack of 12
- Equipment stand available



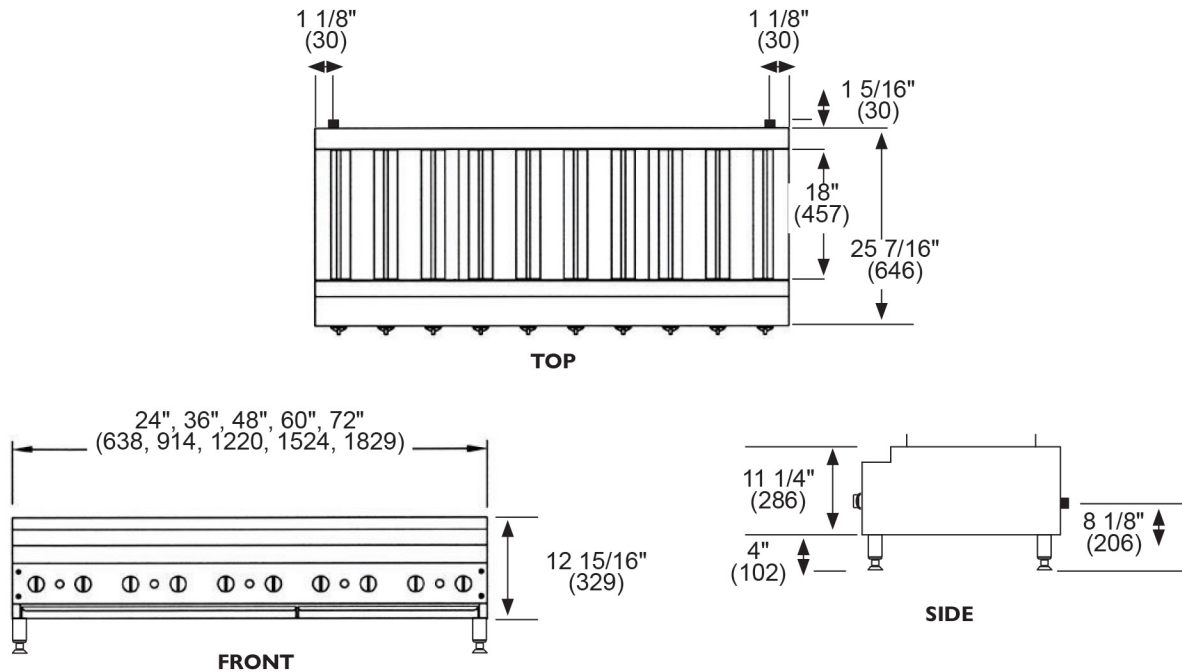
Model Shown ARKB-36

DESCRIPTION

American Range ARKB series kebob broilers feature a countertop design and individually controlled stainless steel burners 30,000 BTU/hr. placed every 6". Available in sizes 24", 36", 48", 60", and 72". Heavy duty angled radiants for optimum heat distribution and removable for easy cleaning. Angled radiants control flare-up while still imparting the char-broiled flavor. Heavy gauge stainless steel frame spaced to allow support of the "shish" skewers. Full width removable grease tray. One set of skewers comes standard with each unit, four skewers per foot. 4" adjustable legs. Two year limited warranty, parts, and labor



KEBOB BROILERS



MODEL	WIDTH (MM)	DEPTH (MM)	HEIGHT (MM)	BURNERS	BTU/hr.	(KW)	SHIPPING WEIGHT*	
							LBS	(KG)
ARKB-24	24" (610)	26" (660)	15 1/4" (286)	4	120,000	(35)	200	(90)
ARKB-36	36" (914)	26" (660)	15 1/4" (286)	6	180,000	(53)	320	(145)
ARKB-48	48" (1219)	26" (660)	15 1/4" (286)	8	240,000	(70)	360	(163)
ARKB-60	60" (1524)	26" (660)	15 1/4" (286)	10	300,000	(88)	400	(182)
ARKB-72	72" (1829)	26" (660)	15 1/4" (286)	12	360,000	(106)	440	(200)

- Specify type of gas and altitude if over 2000 feet.
- Please specify gas type when ordering.

NATURAL GAS	MANIFOLD PRESSURE	
	PROPANE GAS	MANIFOLD SIZE
5.0" W.C.	10.0" W.C.	3/4" (19MM)

COMBUSTIBLE WALL CLEARANCES:

For use only on non-combustible floors. Legs or casters are required, or 2" (51) overhang is required when curb mounted. Clearance from non-combustible walls is 0". When unit is placed next to combustible walls, clearances must exceed 12" (305) from sides, and 4" (102) from rear. Radiant broilers for non-combustible locations only.

Commercial cooking equipment requires an adequate ventilation system. For additional information, refer to the National Fire Protection Association's standard.

NFPA96 "Vapor Removal from Cooking Equipment." (NOTE: For North America only)

*Shipping weight includes packaging and is approximate.

Subject to change without notice.

