



AMERICAN RANGE

A **HATCO** COMPANY

Project _____

Item # _____

Quantity _____

36" GREEN FLAME RANGES

GAS TYPE: NATURAL LP



- ARGF-6
- ARGF-12G-4B
- ARGF-24G-2B
- ARGF-36G

STANDARD FEATURES

- Electronic ignition no standing pilots
- Stainless steel sides, front, and 6" deep front landing ledge
- Adjustable 6" steel legs
- Choice of: 6" high stainless steel stub back, high riser, or high riser with shelf at no charge
- Two year limited warranty, parts, and labor
- Unit requires 115v power connection, plug and cord provided

OPEN BURNERS

- 12" x 12" cast iron top grates
- 22,000 BTU/hr. burners with electronic ignition, no standing pilot
- Removable full width drip pan under burner

OVEN FEATURES

- Standard Oven 35,000 BTU/hr. burner
- Oven dimensions: 26 1/2"W x 22 1/2"D x 13 1/2"H
- Thermostat ranging from 250°F to 500°F (121°C to 260°C)
- Oven Door: Spring assisted, counterweight door
- Two chrome plated oven racks on all oven bases
- Two fixed rack positions
- Porcelain enamel oven interior for easy cleaning
- 100% safety gas shut off

CONVECTION OVEN *(In place of standard oven)*

- Steel oven burner rated at 30,000 BTU/hr.
- Single phase blower motor 4 amp, 60 hz
- Full size sheet pans only fit side to side
- Chrome rack guides with 5 tray positions

GRIDDLES

- 1" thick steel griddle plate installed on the left side
- One burner every 12", rated at 20,000 BTU/hr.
- Stainless steel pilot for each burner for electronic ignition
- Manual control valve for each burner

AVAILABLE OPTIONS

- Casters (Set of four- two with front brakes)
- Storage Cabinet Base (In place of standard oven)



Model Shown ARGF-6
Shown with optional casters

DESCRIPTION

American Range, Green Flame range size 36" x 32-1/2" x 56" Stainless steel front, sides, backriser, shelf, and 6" adjustable legs. Removable full width drip pan. 22,000 BTU/hr. Burners with electronic ignition, no standing pilot. Lift-off, no clog burners for easy cleaning. Heavy-duty cast iron grates, 12" x 12". Griddle, one burner per 12" 20,000 BTU/hr. with electronic ignition. Oven: 35,000 BTU/hr. standard oven or 30,000 BTU/hr. convection oven, with porcelain interior and inside door panel, oven interior measures 26 1/2"W x 22-1/2"D x 13-1/2"H. Oven thermostat adjusts from 250°F to 500°F. Ovens supplied with two racks. Oven door with a spring assisted, counterweight mechanism requiring no adjustment. Rear gas connection and pressure regulator included. 115v power connection, plug and cord provided.



DESIGNED & BUILT IN USA
PROFESSIONAL COOKING EQUIPMENT

A70440 Rev B 12182025

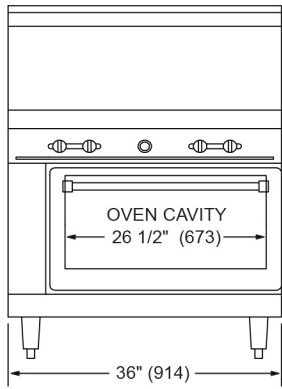


AMERICAN RANGE

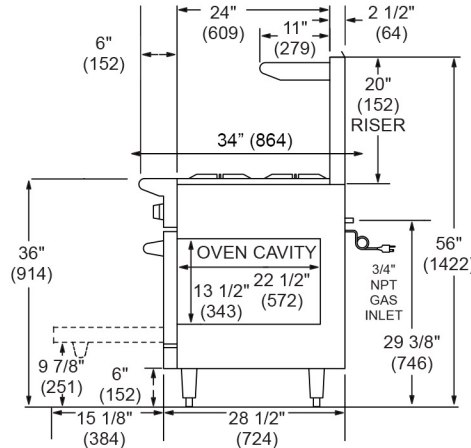
A **HATCO** COMPANY

13592 Desmond St Pacoima CA 91331
T. 818.897.0808 Toll Free: 888.753.9898
www.AmericanRange.com

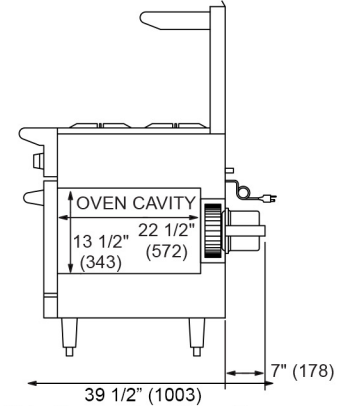
36" GREEN FLAME RANGES



Front Oven Base



Side Standard Oven Base



Side Convection Oven Base

TOP		MODEL	BTU/hr.	BURNERS	GRIDDLE SIZE	Shipping Weight*	
						LBS	(KG)
36"		ARGF-6	167,000	6	N/A	420	(191)
		ARGF-6-C	162,000	6	N/A	493	(224)
		ARGF-6-SB	137,000	6	N/A	350	(159)
36"		ARGF-12G-4B	143,000	4	12" (305 MM)	450	(200)
		ARGF-12G-4B-C	138,000	4	12" (305 MM)	523	(237)
		ARGF-12G-4B-SB	103,000	4	12" (305 MM)	380	(172)
36"		ARGF-24G-2B	119,000	2	24" (610 MM)	450	(200)
		ARGF-24G-2B-C	114,000	2	24" (610 MM)	523	(237)
		ARGF-24G-2B-SB	89,000	2	24" (610 MM)	380	(172)
36"		ARGF-36G	93,000	0	36" (914 MM)	455	(206)
		ARGF-36G-C	88,000	0	36" (914 MM)	535	(243)

"SB" = Storage Base, "G" = Manual Griddle Top, "B" = Burner, "C" = Convection Oven Griddle on the left. Contact factory for other options.

COMBUSTIBLE WALL CLEARANCES:

For use only on non-combustible floors. Legs or casters are required, or 2" (51) overhang is required when curb mounted. Clearance from non-combustible walls is 0". When unit is placed next to combustible walls, clearances must exceed 12" (305) from sides, and 4" (102) from rear.

Commercial cooking equipment requires an adequate ventilation system. For additional information, refer to the National Fire Protection Association's standard.

NFPA96 "Vapor Removal from Cooking Equipment." (NOTE: For North America only)

American Range is a quality manufacturer of commercial cooking equipment. Because of continuing product improvements these specifications are subject to change without prior notice.

Specify type of gas and altitude if over 2000 feet.

Please specify gas type when ordering.

115v 3 prong plug and cord provided.

*Shipping weight includes packaging and is approximate.

NATURAL GAS	MANIFOLD PRESSURE	
	PROPANE GAS	MANIFOLD SIZE
5.0" W.C.	10.0" W.C.	3/4" (19MM)

