

48" GREEN FLAME RANGES

GAS TYPE: NATURAL LP



ARGF-8 ARGF-8-DSB

STANDARD FEATURES

- Electronic ignition no standing pilots
- Stainless steel sides, front, and 6" deep front landing ledge
- Adjustable 6" steel legs
- Choice of: 6" high stainless-steel stub back, high riser, or high riser with shelf at no charge
- Unit requires 115v power connection, plug and cord provided
- Two year limited warranty, parts and labor

OPEN BURNERS

- 12" x 12" cast-iron top grates
- 22,000 BTU/hr. burners with electronic ignition, no standing pilot
- Removable full width drip pan under burner

STANDARD 20" SPACE SAVER OVEN

- Steel oven burner rated at 20,000 BTU/hr.
- Oven dimensions: 20"W x 26 1/2"D x 13 1/2"H
- Thermostat ranging from 250°F to 500°F (121°C to 260°C)
- Oven Door: Spring assisted, counterweight door
- Two chrome plated oven racks on all oven bases
- Two fixed rack positions
- Porcelain enamel oven interior for easy cleaning
- 100% safety gas shut off

GRIDDLES

- 1" thick steel griddle plate
- One burner every 12", rated at 20,000 BTU/hr.
- Stainless steel pilot for each burner for electronic ignition
- Manual control valve for each burner

AVAILABLE OPTIONS

- Swivel Casters (Set of four – two with front brakes)
- Storage Cabinet Base (In place of standard oven)



Model Shown ARGF-8

Shown with optional casters

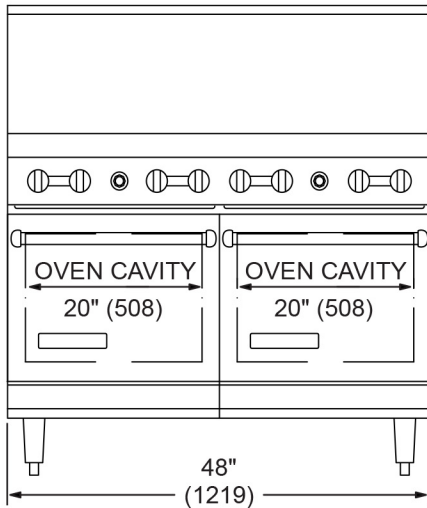
DESCRIPTION

American Range, Green Flame range size 48" x 32-1/2" x 56" Stainless steel front, sides, backriser, shelf and 6" adjustable legs. Removable full width drip pan. 22,000 BTU/hr. open burners with lift-off burner heads electronic ignition no standing pilots. Heavy-duty cast iron grates, 12" x 12". Burner knobs are cool to the touch, high temperature material. Two ovens: 20,000 BTU/hr. Space Saver ovens, with porcelain interior and inside door panel, oven interior measures 20"W x 26-1/2"D x 13-1/2"H. Oven thermostat adjusts from 250°F to 500°F. Both ovens supplied with two racks, and two rack positions. Oven door with a spring assisted, counterweight mechanism requiring no adjustment. Rear gas connection and pressure regulator included. 115v power connection, plug and cord provided.

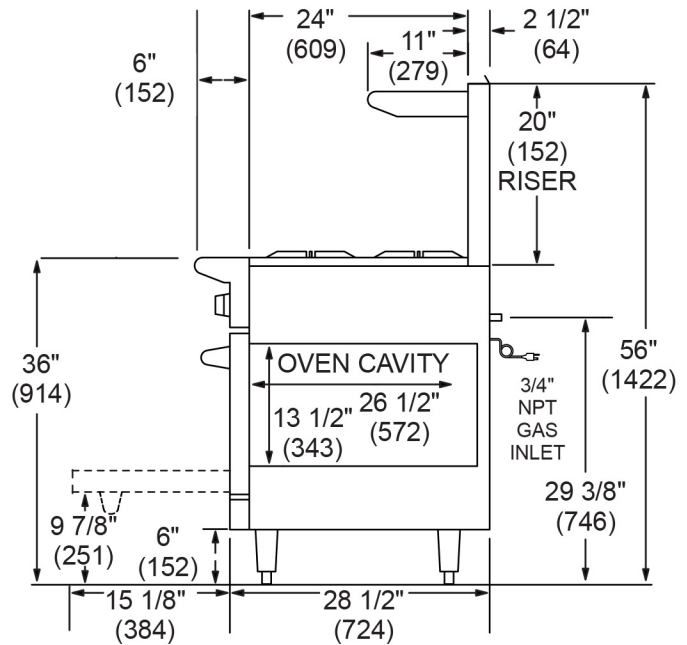


48" GREEN FLAME RANGES

48"



**Front 48" Super Saver
Oven Base**



Side Super Saver Oven Base

TOP	MODEL	BTU/hr.	BURNERS	GRIDDLE SIZE	*Shipping Weight	
					LBS	(KG)
48"	ARGF-8	216,000	8	N/A	580	(264)
	ARGF-8-DSB	176,000	8	N/A	460	(209)

"DSB" = Double Storage Base

COMBUSTIBLE WALL CLEARANCES:

For use only on non-combustible floors. Legs or casters are required, or 2" (51) overhang is required when curb mounted. Clearance from non-combustible walls is 0". When unit is placed next to combustible walls, clearances must exceed 12" (305) from sides, and 4" (102) from rear.

Commercial cooking equipment requires an adequate ventilation system. For additional information, refer to the National Fire Protection Association's standard.

NFPA96 "Vapor Removal from Cooking Equipment." (NOTE: For North America only)

Specify type of gas and altitude if over 2000 feet.

Please specify gas type when ordering.

*Shipping weight includes packaging and is approximate.

115v 3 prong plug and cord provided.

NATURAL GAS	MANIFOLD PRESSURE		MANIFOLD SIZE
	PROPANE GAS		
5.0" W.C.	10.0" W.C.		3/4" (19MM)

DESIGNED & BUILT IN USA
PROFESSIONAL COOKING EQUIPMENT
A70442 Rev C 12182025



AMERICAN RANGE
A HATCO COMPANY

13592 Desmond St Pacoima CA 91331
T. 818.897.0808 Toll Free: 888.753.9898
www.AmericanRange.com