

Project \_\_\_\_\_

Item # \_\_\_\_\_

Quantity \_\_\_\_\_



## WOOD-FIRED BROILERS WITH LOG LIGHTER

- AMSQ-30     AMSQ-36
- AMSQ-48     AMSQ-60

### STANDARD FEATURES

- Two piece wood broiler, stainless body, and stand
- Built in gas log lighter with standing pilot ignition
- Large stainless steel door located in the front allows for easy loading and moving of logs or charcoal
- Open bottom grate for optimum combustion
- Fire box lined with fire bricks to protect from burn out
- Heavy duty top grates for attractive grill marks
- Broiler can be used with wood or charcoal
- Two year limited warranty, parts, and labor

### OPTIONAL FEATURES

- 6" casters



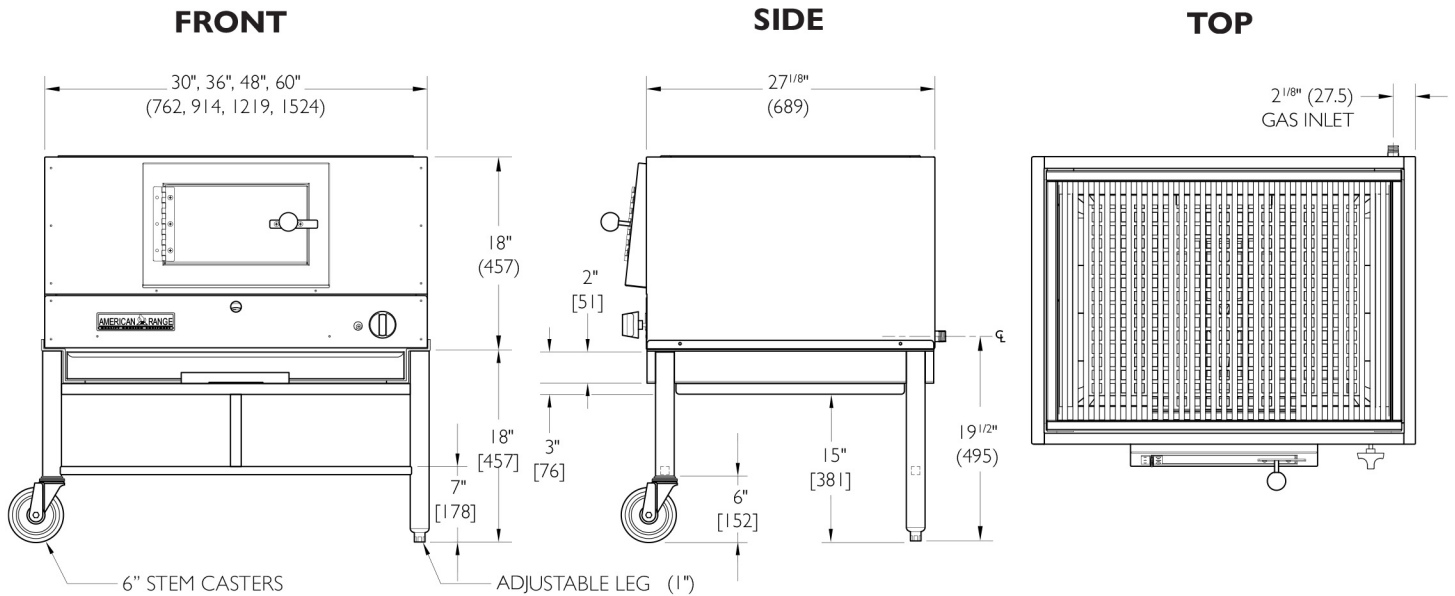
**Model Shown AMSQ-30**  
Shown with optional casters

### DESCRIPTION

American Range, model AMSQ. Two piece wood broiler with stainless body and stand. Built in gas log lighter with standing pilot ignition. Large stainless steel door located in the front allows for easy loading and moving of logs or charcoal. Open bottom grate for optimum combustion. Fire box lined with fire bricks to protect from burn out. Heavy duty top grates for attractive grill marks. Broiler can be used with wood or charcoal.



# WOOD-FIRED BROILERS WITH LOG LIGHTER



SHIPPING WEIGHT\*

MODEL	WIDTH (MM)	DEPTH (MM)	HEIGHT (MM)	BURNERS	BTU/hr.	(KW)	LBS	(KG)
AMSQ-30	30" (762)	27 1/8" (689)	18" (457)	1	30,000	(9)	300	(137)
AMSQ-36	36" (914)	27 1/8" (689)	18" (457)	1	30,000	(9)	345	(157)
AMSQ-48	48" (1219)	27 1/8" (689)	18" (457)	1	30,000	(9)	405	(184)
AMSQ-60	60" (1524)	27 1/8" (689)	18" (457)	2	60,000	(18)	455	(206)

Specify type of gas and altitude if over 2000 feet.  
 Please specify gas type when ordering.

### COMBUSTIBLE WALL CLEARANCES:

For use only on non-combustible floors. Legs or casters are required, or 2" (51) overhang is required when curb mounted. Clearance from non-combustible walls is 0". When unit is placed next to combustibile walls, clearances must exceed 12" (305) from sides, and 4" (102) from rear.

Commercial cooking equipment requires an adequate ventilation system. For additional information, refer to the National Fire Protection Association's standard.

NFPA96 "Vapor Removal from Cooking Equipment." (NOTE: For North America only)

NATURAL GAS	MANIFOLD PRESSURE	
	PROPANE GAS	MANIFOLD SIZE
5.0" W.C.	10.0" W.C.	3/4" (19MM)

\*Shipping weight includes packaging and is approximate.

American Range is a quality manufacturer of commercial cooking equipment. Because of continuing product improvements these specifications are subject to change without prior notice.

