

ROTISSERIE

SPECIFICATIONS

Model : **STEAMBOX**

Manufacturer :



A BEAUTIFUL DESIGN

Optimized product view thanks to front and back windows, a modern and innovative design down to the smallest details, quartz lighting protected by glass ceramic.



CAPACITY

12 to 16 chickens depending on weight.

PERFORMANCE

Incomparable cooking results, thanks to a combination of fan-assisted hot air (for a tender product) and direct infra-red heat (for color and crispy skin).

ERGONOMIC

Glass doors which open on open sides, digital thermostat, automatic shut-off once the product is cooked, "temperature hold" mode and double windows on both front and back (opens on both sides).

EASY TO CLEAN

Automatic steam cleaning program (15 min), fitted with 4 stainless steel cradles, glass touchscreen control panel, integrated rapid-drain fat tray and an interior which can be fully dismantled.



SAFETY

Toughened glass protection, protected access to the fat tray.

ELECTRICAL SUPPLY

220V tri-phase
23.7 Amps



ROTISSERIE SPECIFICATIONS

Model : **STEAMBOX**

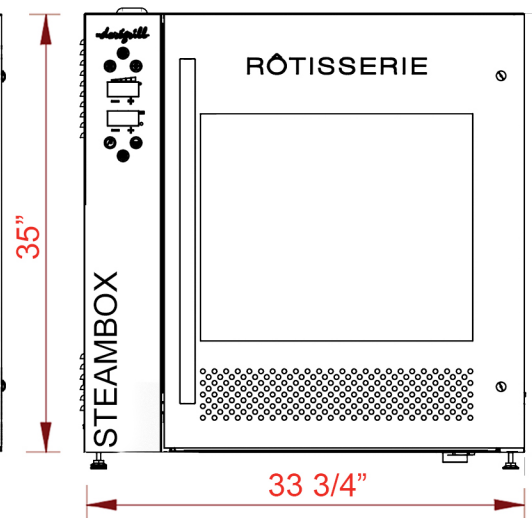
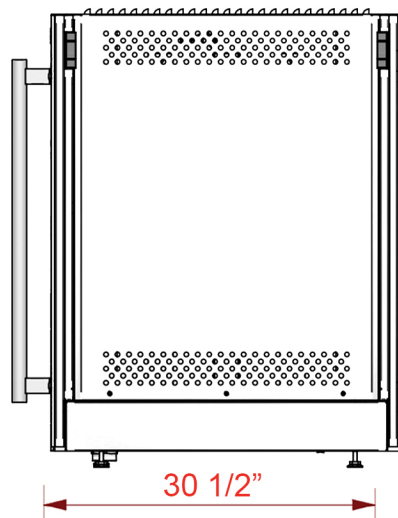
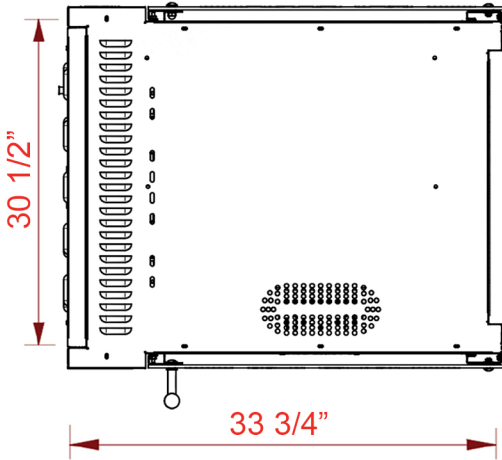
Manufacturer :



TOP VIEW

SIDE VIEW

FRONT VIEW



E 220 V Tri Phase 20Amps.

An innovative basket

The Stand-up® basket, a new Dorégrill patent to make your life that much easier... Chickens are held upright, increasing oven capacity. With only 3 bars, it's light, easy to clean and really shows off your products.



Model	Length	Height	Depth	Number of baskets	Power	Capacity per hour (depending on weight)
Steambox	33 3/4"	35"	30 1/2"	4	9 kW	16 Vol.