

# ROTISSERIE

## SPECIFICATIONS

Model : **NEOL (NEOGRILL COMBINED)**

Manufacturer :



## NEOGRILL

**Simple, efficient and versatile.** This rotisserie oven is designed to make your life easier.

## CAPACITY

16 chickens (Model N1) to 24 chickens (model N2) per hour.

## PERFORMANCE

4 stainless steel Stand-up® baskets driven by a powerful motor, heated by 3 reinforced infrared "incoloy" heaters.

## ERGONOMIC

New extra-flat touchscreen control panel, thermostat-regulated cook settings, automatic shut-off with "temperature hold" mode.

## A BEAUTIFUL DESIGN

An innovative design with large viewing windows, glass-ceramic protected quartz lighting.

## EASY TO CLEAN

Opens on both sides, the interior can be fully dismantled, red enameled sheet steel and dye-penetrating silk-screening on the windows.

## SAFETY

Toughened glass protection, protected access to the fat tray.



## NEOL, combined Neogrill and self-service display

## DISPLAY (V85.LS) SPECIFICATIONS

- 2 stainless steel shelves, with the upper shelf set back
- Glass-ceramic protection and lighting
- Windows on each side for a panoramic view
- Heated shelves
- Customer access from the front
- Compact design
- Black coating
- Mobility with 4 castors, 2 with brakes
- Optional: assisted service (display closed off with two sliding windows at the front)
- Capacity: up to 20 chickens

## POWER SUPPLY

- Standard: 220V tri-phase
- Power: 10,22 Kw
- 26.7 Amps
- Weight: 436 pounds



# ROTISSERIE

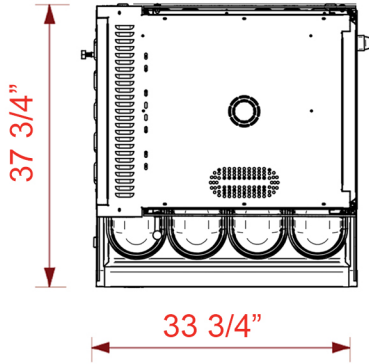
## SPECIFICATIONS

Model : **NEOL (NEOGRILL COMBINED)**

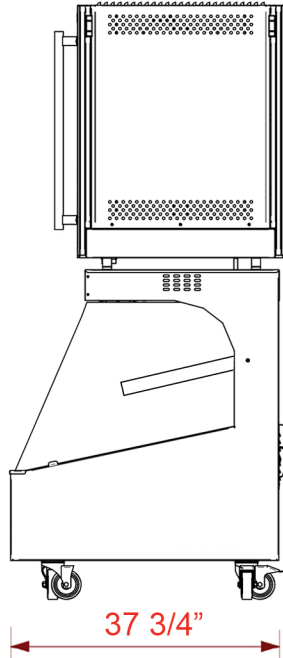
Manufacturer :



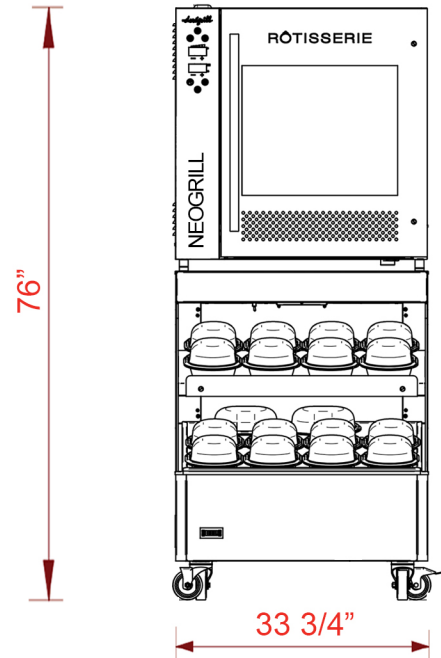
TOP VIEW



SIDE VIEW



FRONT VIEW



E 220 V Tri Phase 26.7Amps.

### An innovative basket

The Stand-up® basket, a new Dorégrill patent to make your life that much easier... Chickens are held upright, increasing oven capacity. With only 3 bars, it's light, easy to clean and really shows off your products.



| Model | Length  | Height  | Depth   | Number of baskets | Power  | Capacity per hour (depending on weight) |
|-------|---------|---------|---------|-------------------|--------|---|
| N1    | 33 1/2" | 30 1/2" | 28 1/3" | 4                 | 7.3 kW | 16 Vol.                                 |
| N2    | 42 1/4" | 30 1/2" | 28 1/3" | 4                 | 9.1 kW | 24 Vol.                                 |
| Neol  | 33 3/4" | 66"     | 37 3/4" | -                 | 9.9 kW | -                                       |

| Oven  | Dimensions |        |         | Power   |
|-------|------------|--------|---------|---------|
|       | Length     | Height | Depth   |         |
| E. N1 | 33 1/2"    | 37"    | 27 1/2" | 2.30 kW |
| E. N2 | 42 1/4"    | 37"    | 27 1/2" | 3.30 kW |