

# ROTISSERIE

## SPECIFICATIONS

Model : **NEOGRILL N1**

Manufacturer :



## A BEAUTIFUL DESIGN

Simple, efficient and versatile. This rotisserie oven is designed to make your life easier. An innovative design with large viewing windows, glass-ceramic protected quartz lighting.



## CAPACITY

16 chickens per hour.

## PERFORMANCE

4 stainless steel Stand-up® baskets driven by a powerful motor, heated by 3 reinforced infrared "incoloy" heaters.

## ERGONOMIC

New extra-flat touchscreen control panel, thermostat-regulated cook settings, automatic shut-off with "temperature hold" mode.

## EASY TO CLEAN

Opens on both sides, the interior can be fully dismantled, red enameled sheet steel and dye-penetrating silk-screening on the windows.

## SAFETY

Toughened glass protection, protected access to the fat tray.

## ELECTRICAL SUPPLY

220V tri-phase  
20 Amps



# ROTISSERIE

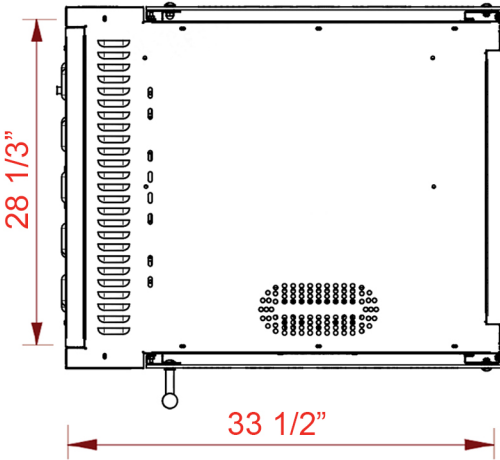
## SPECIFICATIONS

Model : **NEOGRILL N1**

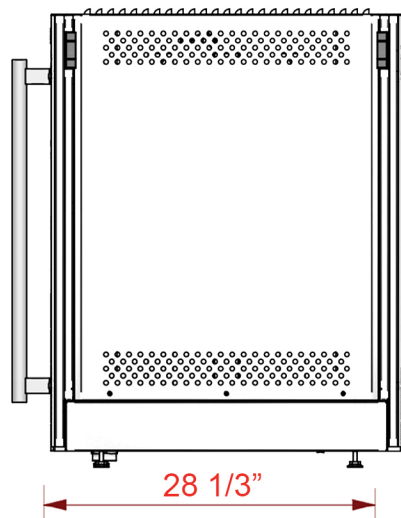
Manufacturer :



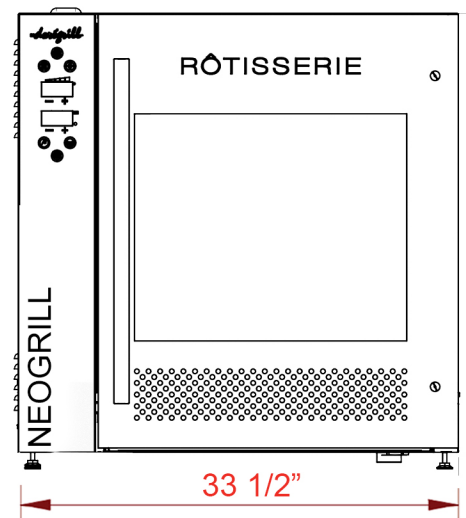
TOP VIEW



SIDE VIEW



FRONT VIEW



E 220 V Tri Phase 20Amps.

### An innovative basket

The Stand-up® basket, a new Dorégrill patent to make your life that much easier... Chickens are held upright, increasing oven capacity. With only 3 bars, it's light, easy to clean and really shows off your products.



| Model | Length     | Height  | Depth   | Number of baskets | Power  | Capacity per hour (depending on weight) |
|-------|------------|---------|---------|-------------------|--------|---|
| N1    | 33 1/2"    | 30 1/2" | 28 1/3" | 4                 | 7.3 kW | 16 Vol.                                 |
| Oven  | Dimensions |         |         | Power             |        |   |
|       | Length     | Height  | Depth   |                   |        |   |
| E. N1 | 33 1/2"    | 37"     | 27 1/2" | 2.30 kW           |        |   |