

ROTISSERIE

SPECIFICATIONS

Model : **NEOBOX (STEAMBOX COMBINED)** Manufacturer :



STEAMBOX

The STEAMBOX is here to meet all of your needs! This rotisserie oven is fitted out like a dream! With a revolutionary automatic steam cleaning system, a touchscreen glass control panel and incomparable cooking quality, this is a truly indispensable tool.

CAPACITY

12 to 16 chickens depending on weight.

PERFORMANCE

Incomparable cooking results, thanks to a combination of fan-assisted hot air (for a tender product) and direct infra-red heat (for color and crispy skin).

ERGONOMIC

Glass doors which open on open sides, digital thermostat, automatic shut-off once the product is cooked, "temperature hold" mode and double windows on both front and back (opens on both sides).

A BEAUTIFUL DESIGN

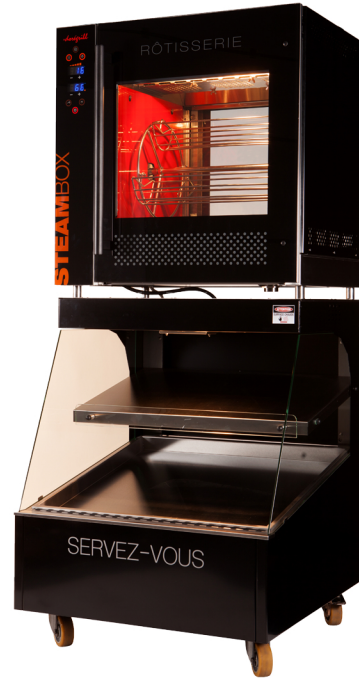
Optimized product view thanks to front and back windows, a modern and innovative design down to the smallest details, quartz lighting protected by glass ceramic.

EASY TO CLEAN

Automatic steam cleaning program (15 min), fitted with 4 stainless steel cradles, glass touchscreen control panel, integrated rapid-drain fat tray and an interior which can be fully dismantled.

SAFETY

Toughened glass protection, protected access to the fat tray.



NEOBOX, combined Steambox and self-service display

DISPLAY (V85.LS) SPECIFICATIONS

- 2 stainless steel shelves, with the upper shelf set back
- Glass-ceramic protection and lighting
- Windows on each side for a panoramic view
- Heated shelves
- Customer access from the front
- Compact design
- Black coating
- Mobility with 4 castors, 2 with brakes
- Optional: assisted service (display closed off with two sliding windows at the front) • Capacity: up to 20 chickens

POWER SUPPLY

- Standard: 220V tri-phase
- Power: 10,22 Kw
- 30.6 Amps
- Weight: 436 pounds

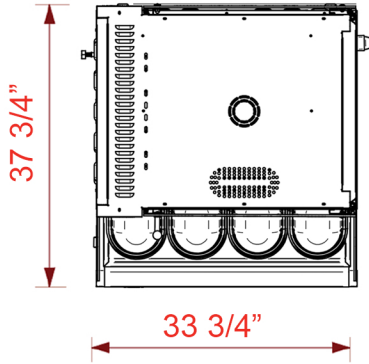


ROTISSERIE SPECIFICATIONS

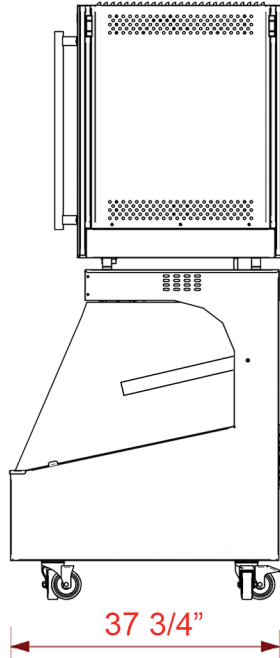
Model : **NEOBOX (STEAMBOX COMBINED)** Manufacturer



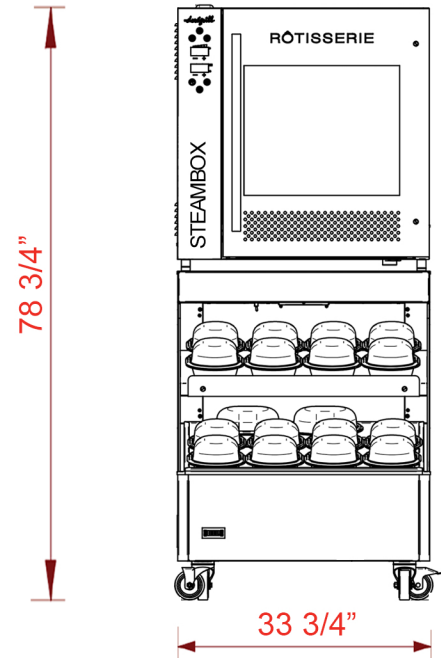
TOP VIEW



SIDE VIEW



FRONT VIEW



E 220 V Tri Phase 26.7Amps.



An innovative basket

The Stand-up® basket, a new Dorégrill patent to make your life that much easier... Chickens are held upright, increasing oven capacity. With only 3 bars, it's light, easy to clean and really shows off your products.



Model	Length	Height	Depth	Number of baskets	Power	Capacity per hour (depending on weight)
Steambox	33 3/4"	35"	30 1/2"	4	9 kW	16 Vol.
Néobox	33 3/4"	78 3/3"	37 3/4"	4	11.6 kW	/