

# ROTISSERIE

## SPECIFICATIONS

Model : **MODEL 6 DOUBLE STACKED**

Manufacturer :



## A BEAUTIFUL DESIGN

**The MODEL is here to meet all of your needs!**

Thanks to its revolutionary automatic steam cleaning system and non-stick red enamel interior, this is a time-saving miracle. What's more, the panoramic view of the inside will make your customers' mouths water. A panoramic view, a modern and innovative design in even the smallest details, left or right control panel positioning, powerful lighting with 2 quartz lamps.



## CAPACITY

20 to 30 chickens per hour depending on weight per unit .

## PERFORMANCE

Multi-directional infra-red fan-assisted heating elements, 6 rotisserie cages, can be transformed into a mixed multi-level oven, and can cook 20 to 30 chickens per hour per unit, depending on the weight of the birds.

## ERGONOMIC

Fully transparent doors which open on both sides, a digital thermostat that lets you set any temperature from 68 to 464°F, automatic shut-off once it has finished cooking with a "temperature hold" mode, core temperature probe (optional).



## EASY TO CLEAN

Double-glazed, removable doors and siding, a removable central support, an integrated rapid-drain fat tray, enamel-coated interior, anti-reflection and extra-flat control panel.

## SAFETY

Toughened glass protection, protected access to the fat tray.

## ELECTRICAL SUPPLY

220V tri-phase  
2 X 30 Amps



# ROTISSERIE

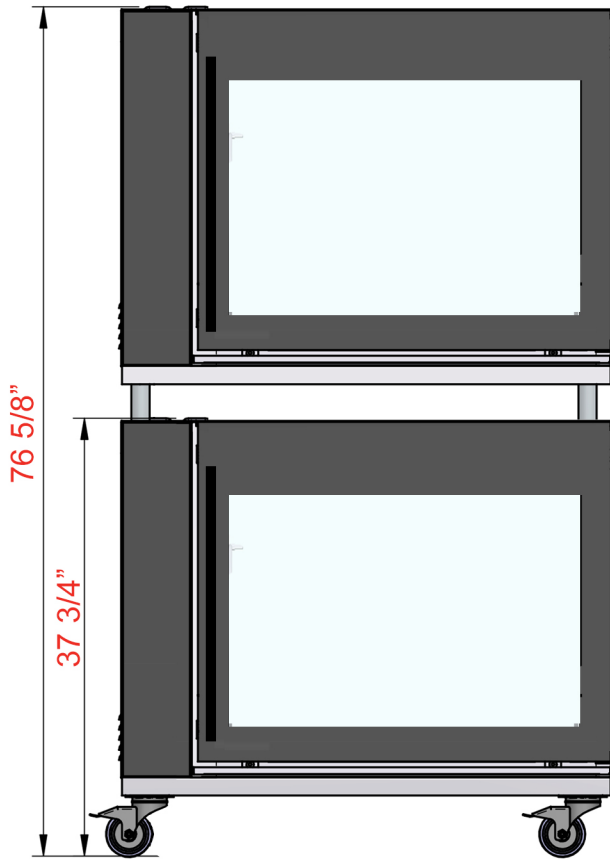
## SPECIFICATIONS

Model : **MODEL 6 DOUBLE STACKED**

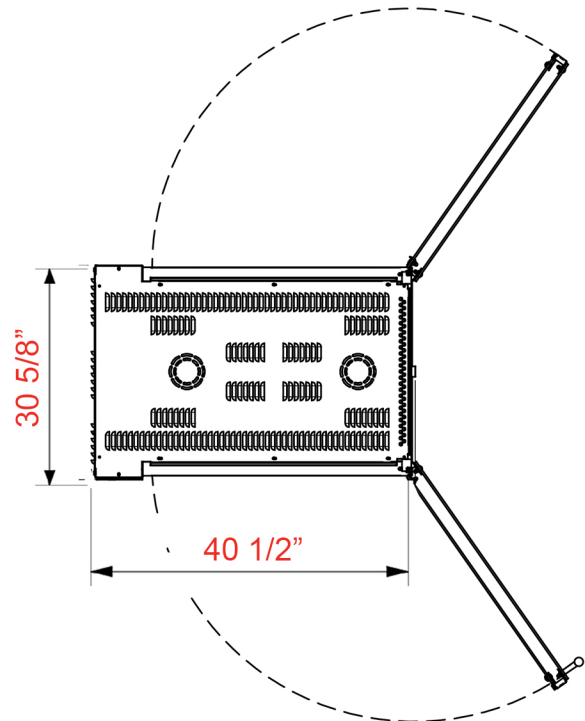
Manufacturer :



FRONT VIEW



TOP VIEW



| Model           | Length  | Height  | Depth   | Number of baskets | Capacity per hour (depending on weight) |
|-----------------|---------|---------|---------|-------------------|---|
| Model 6 2 stack | 40 1/2" | 76 5/8" | 30 5/8" | 12                | 40/60 Vol.                              |