

# ROTISSERIE

## SPECIFICATIONS

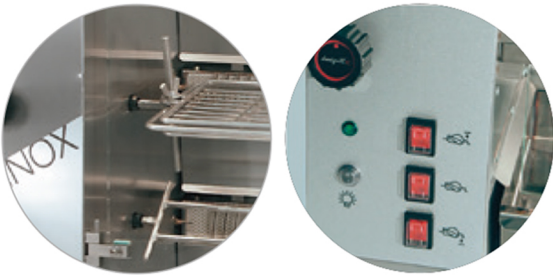
Model : **MAG 40/6 S** Gas Version

Manufacturer :



## DESIGN

Stainless Steel design with powerful lighting system.  
Glass-ceramic protected quartz lighting.



## COOKING SYSTEM

6 spits 5 burners.

Adjustable spits allow to cook any type of products from chicken to turkey, lamb, beef and vegetables.

A variety of attachments are also available such as basket spits and chicken spits.

Our rotisserie ingenious spit adjustment guarantees a perfect cooking regardless of the size of the product.

Individual motors.

Manual pilots.

## CLEANING

Easy to clean and safe to maintain.

Splash guard for each burner.

Removable burner panels.

Drain valve.



## PERFORMANCE

Fast and consistent from 18 to 24 chickens capacity in less than an hour.

The unique individual burner system provides exceptional control and unmatched durability.

Patented prong-less spits.

Stainless Steel burner panels.

## COLORS

### STANDARD

■ Signal Black  
(RAL 9004)

### OPTIONS

■ Purple Red (RAL 3004)  
■ Traffic Red (RAL 3016)  
■ Gentian Blue (RAL 5010)  
■ Stainless Steel



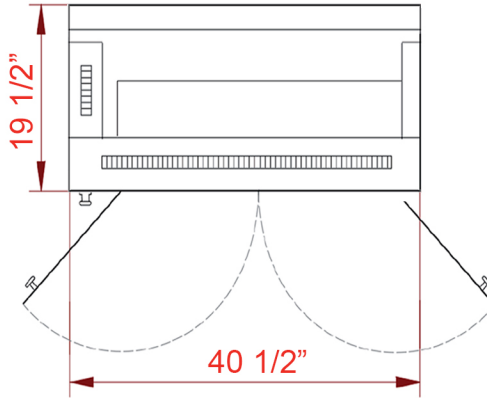
# ROTISSERIE SPECIFICATIONS

Model : **MAG 40/6 S** Gas Version

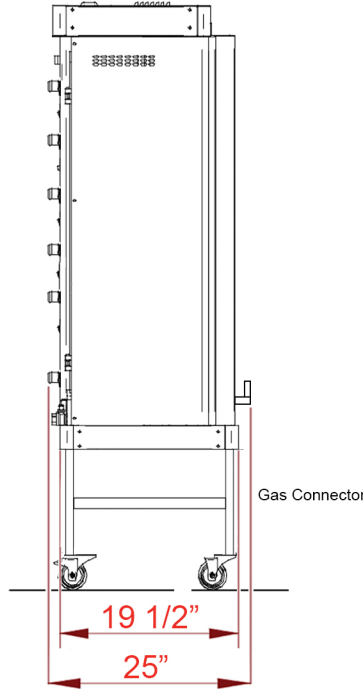
Manufacturer :



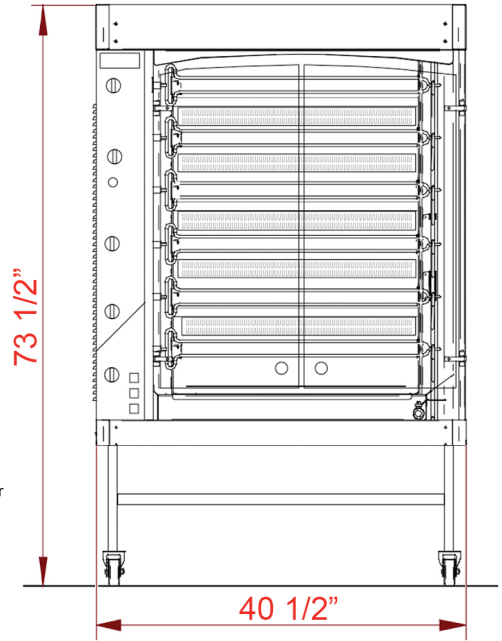
TOP VIEW



SIDE VIEW



FRONT VIEW



G	3/4" NPT Male Connection, 61 1/8" AFF
E	4.0 Amps, 208/220 V Single Phase

Gas Consumption	100,000 BT/hr (Natural gas) 90,000 BTH/hr (Propane)	<b>STANDARD FEATURES</b>
Gas Min. Pressure	7" W.C (Natural gas) 11" W.C (Propane)	STD finish : Stainless steel with all Stainless steel trims
Gas Connector	3/4"	6 spits
Electricity	4.0 Amps, 208/220 V Single Phase	Bottom drip pan with drain valve
Capacity	Up to 18 with 3lbs Chicken Up to 24 with 2lbs Chicken	2 Tempered glass doors
Warranty	1 Year parts and labor	4 casters with front brakes
Venting	The rotisserie requires a type 1 grease type hood installed in accordance with all national and local codes	Manual Pilots and Individual Motors
Min. Clearance	6" on the right, left and rear side	208 / 220 V Single Phase
Shipping Weight	500 lbs crated	